



24022451

M400 Series Electromagnetic Locks

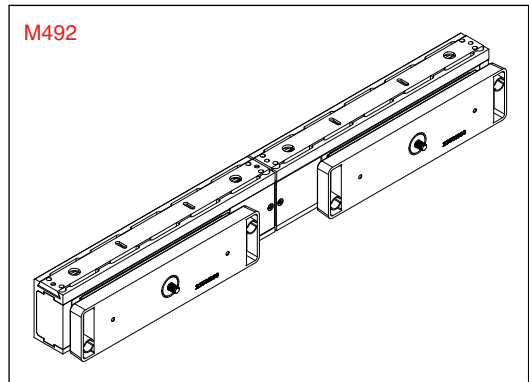
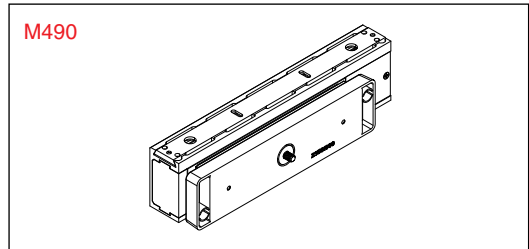
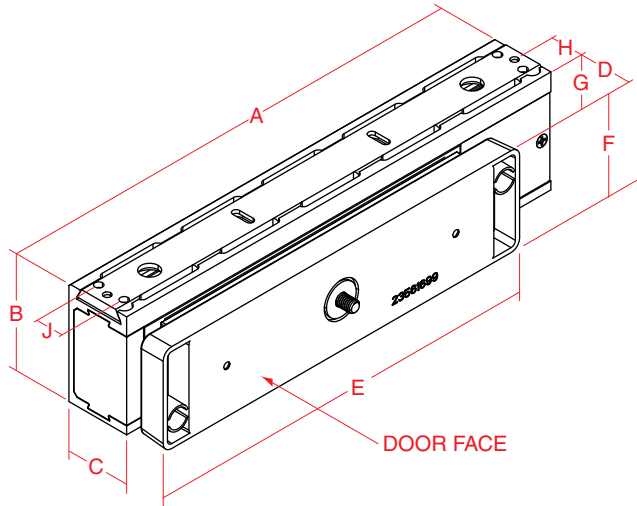


General Product Dimensions

Contents

- 1 Single and Double Locks
- 2 TJ Bracket (for inswinging doors)
- 3 HDB Bracket (for glass doors)
- 4 M490G (swinging and sliding gate)

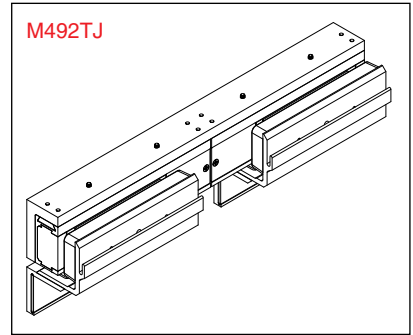
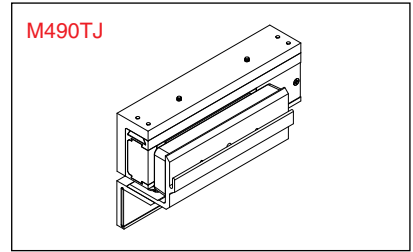
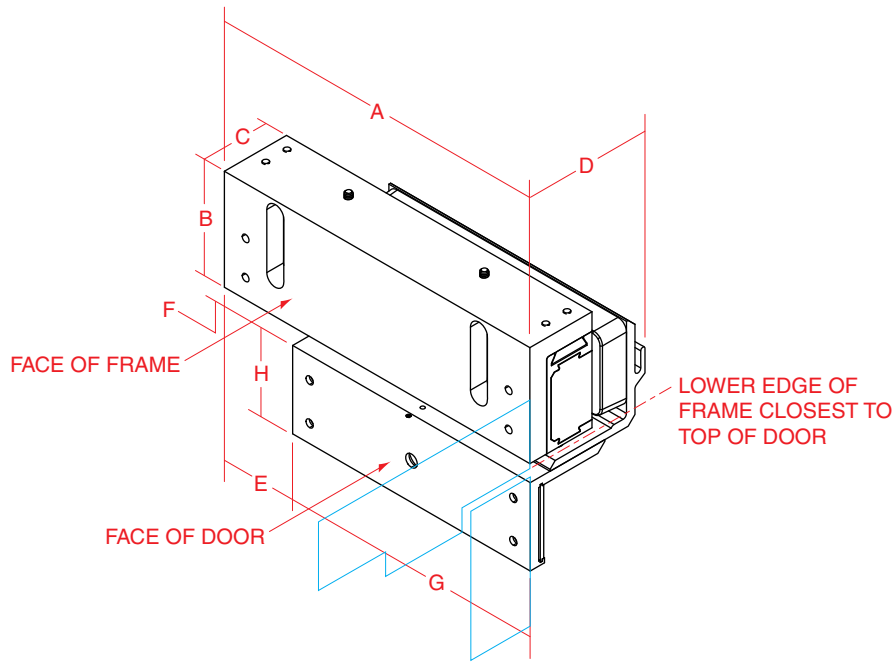
Single and Double Locks



Single Door Applications			
DIM	M490	M450	M420
A	12-1/2	10-1/4	9
B	3	3	2-1/2
C	1-3/4	1-3/4	1-3/8
D	1-1/16	1-1/16	1-1/16
E	10-1/2	8-1/4	7
F	2-5/8	2-5/8	2-3/16
G	7/16	7/16	1/4
H	7/8	7/8	11/16
J	3/4	3/4	5/8

Double Door Applications			
DIM	M492	M452	M422
A	25-1/16	20-9/16	18-1/16
B	3	3	2-1/2
C	1-3/4	1-3/4	1-3/8
D	1-1/16	1-1/16	1-1/16
E	10-1/2	8-1/4	7
F	2-5/8	2-5/8	2-3/16
G	7/16	7/16	1/4
H	7/8	7/8	11/16
J	3/4	3/4	5/8

TJ Bracket (for inswinging doors)

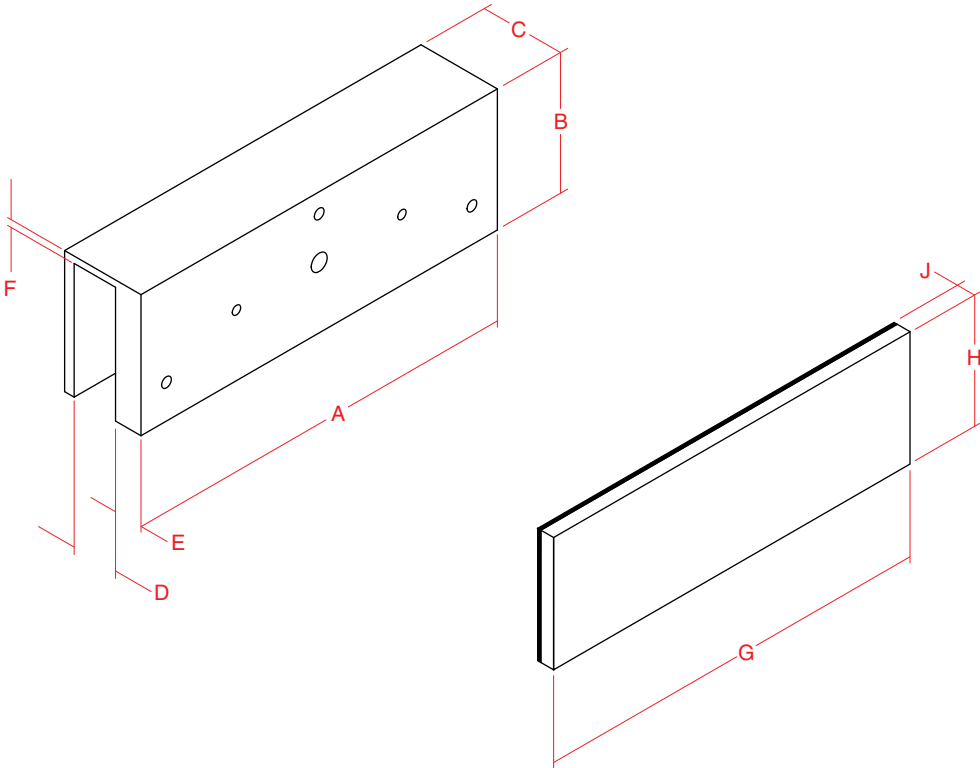


Single Door Applications			
DIM	M490TJ	M450TJ	M420TJ
A	12-1/2	10-1/4	9
B	3-1/2	3-1/2	2-15/16
C	2-3/16	2-3/16	1-13/16
D	3-13/16	3-13/16	3-3/8
E	2	2	2
F	1/2	1/2	1/2
G	10-1/2	8-1/4	7
H	2-1/4	2-1/4	2-1/4

Single Door Applications			
DIM	M490TJ	M450TJ	M420TJ
A	12-1/2	10-1/4	9
B	3-1/2	3-1/2	2-15/16
C	2-3/16	2-3/16	1-13/16
D	3-13/16	3-13/16	3-3/8
E	2	2	2
F	1/2	1/2	1/2
G	10-1/2	8-1/4	7
H	2-1/4	2-1/4	2-1/4

① **Note:** Magnet mounting bracket thickness on all models is 1/2".

HDB Bracket (for glass doors)

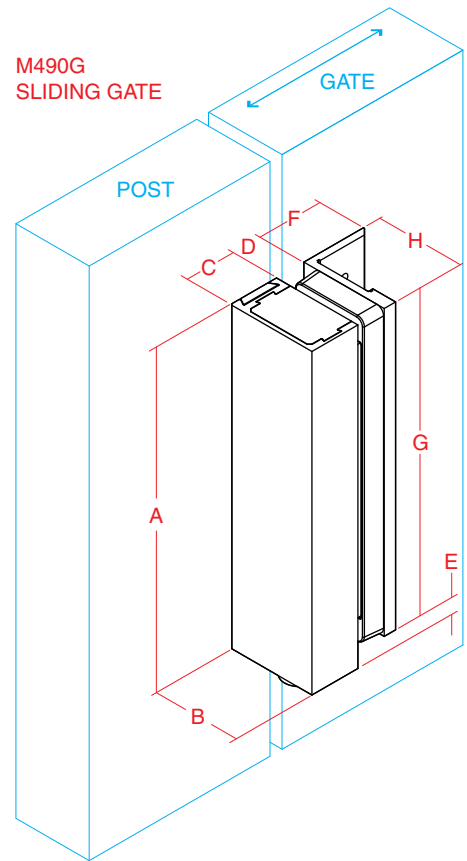
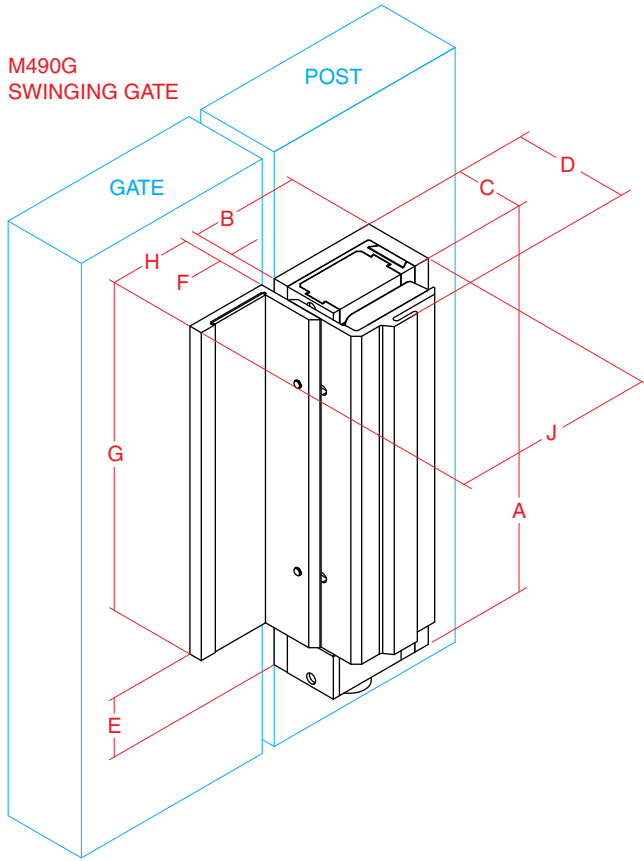


DIM	M490HDB	M450HDB	M420HDB
A	10-1/2	2-1/4	7
B	2-13/16	2-13/16	2-3/8
C	1-1/2	1-1/2	1-1/2
D	13/16	13/16	13/16
E	1/2	1/2	1/2
F	1/8	1/8	1/8
G	8-1/4	8-1/4	7
H	2-11/16	2-11/16	2-1/4
J1*	1/4	1/4	1/4
J2*	1/16	1/16	1/16

* Two shims provided for varying glass thicknesses

- ① “J” dimensions include thickness of gaskets
- ① Note: Thickness of mounting bracket opposite the magnet side is 3/16”

M490G (swinging and sliding gate)



Swinging Gate Application

DIM	M490G
A	11
B	3-1/2
C	2-3/16
D	3-13/16
E	1/2
F	1/2
G	10-1/2
H	2-1/4

Sliding Gate Application

DIM	M490G
A	11
B	3
C	1-11/16
D	11/16
E	1/2
F	2-3/16
G	10-1/2
H	3

Customer Service

1-877-671-7011

www.allegion.com/us

