

SCHLAGE

AD-250

Standalone electronic lock



Overview

AD Series electronic locks from Schlage are designed to be modular and provide more options to choose from, more functionality in the lock and more compatibility with existing systems. Its patent-pending modular design allows the lock to be customized to fit the needs of an application now, and can change to meet future needs without removing it from the door.

Factory orderable options include choices of magnetic stripe credential readers, chassis type, locking functions, power options, lever styles and finishes. It also offers a wide selection of features that can be configured in the field to customize your openings.

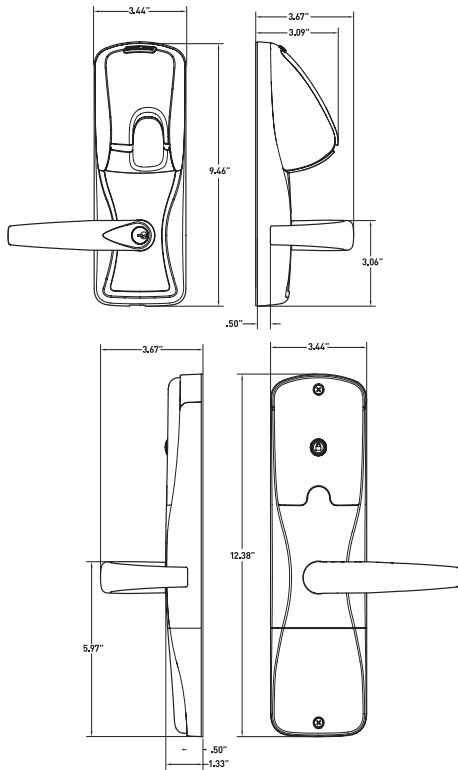
The AD-250 is a unique solution in which the credential, not the lock, carries access rights on a magnetic stripe card. This allows dynamic rights management on the card without reprogramming each lock in the facility. And the lock still maintains an audit trail of events at the door. This makes it a smart and economical solution for campus-like environments with a large number of users and offline openings.

On all AD Series standalone locks, Schlage has built in many of the incremental features needed in a networked system such as request-to-exit and request-to-enter sensors, interior cover tamper guard, as well as the door position switch. This way, if the customer chooses to network this opening in the future, all the components will be there to make the transition an easy one.

Features and benefits

- Security that's more intelligent and convenient than traditional mechanical locking devices
- Audit trail reports that allow you to track usage
- Add users and access rights using credentials instead of having to visit each lock
- The ability to upgrade to a networked solution without removing the lock from the door
- Available in cylindrical, mortise, mortise deadbolt and exit trim
- Compatible with major brands of master key systems and exit devices
- ANSI/BHMA A156.25, ANSI/BHMA Grade 1, UL 294, UL 10C, FCC Part 15, ADA, FL12400¹, FL1591¹, FL13013¹ and FL14482¹

¹ Applies to cylindrical and mortise chassis only



AD-250 electronic lock specifications

Users	Unlimited, dependent on software
Audits	Up to 10,000
Credential verification time	≤ 1 second
Visual/audible communications	Tri-colored LEDs and audible indicators (field configurable)
System interface	SUS mobile app on compatible Android devices with SUS-A Cable; also supported by legacy Schlage Handheld Devices (HHD)
Power supply	4AA, 8AA, 12 VDC or 24 VDC
Voltage range	4 VDC to 26 VDC
Max current requirement	Up to 250 mA
Battery life	Up to 2 yrs with 4AA
Operating temperature - exterior	-31° to 151°F (-35° to 66°C)
Operating temperature - interior	32° to 120°F (0° to 49°C) (battery)
Operating humidity	0 - 100% non-condensing
Certifications	ANSI/BHMA A156.25, ANSI/BHMA Grade 1, UL 294, U L10C, FCC Part 15, ADA
Accessories	SUS-A Cable used with SUS Android mobile app, magnetic stripe credential encoder (CL-Encoder 2)

Functions

- Classroom/storeroom¹
- Office¹
- Privacy
- Apartment

Standard status signals

- Lock/unlock status
- Mechanical key override
- Battery status

Schlage Utility Software

The Schlage Utility Software (SUS) mobile app on compatible Android mobile devices and SUS-A cable provides an easy way to manage people, audits and locks for simple access control management.

Schlage Utility Software

- Initialize lock and accessories
- Field configure devices
 - Credential reader formats
 - Lock function
 - Unlock period
 - Failure mode
 - Audible alarm on/off
- Service and diagnostics
 - Battery status
 - Validate hardware and software revision
 - Troubleshooting status signals
 - Firmware upgrades
- New device template simplifies configuration



¹ Classroom/storeroom and office function not available with mortise deadbolt option. To ensure safety, all functions always allow for free egress.

Mechanical specifications

Chassis	Cylindrical	Mortise	Exit trim
Handing	Handed to order, field reversible		
ANSI standard (Meets or exceeds)	A156.25 A156.2 Series 4000 Grade 1	A156.25 A156.13 Series 1000 Grade 1	A156.25 A156.3
Door thickness	1 3/4" standard, 1 3/8" to 2 3/4" optional (available in 1/8" increments)		
Backset	Standard: 2 3/4" Optional: 2 3/8", 3 3/4", 5"	2 3/4" only	Defined by exit device
Latch bolt	Standard: 1/2" throw Optional: 3/4" throw	Standard: 3/4" throw Optional: 1" throw on mortise deadbolt	Provided by exit device
Levers	Pressure cast zinc, plated		
Strike	Standard: 1 3/16" lip, ANSI, 1 1/4" x 4 7/8" Optional: Additional configurations available please see price book		Provided by exit device
Cylinder and keys	Schlage 6-pin Everest 29 S123 keyway Conventional cylinder with two patented keys standard. Additional options available including SFIC, FSIC and competitor brands. See lever and cylinder compatibility data sheet (010432)		

AD Series exit trim

Installed with a universal mounting plate, the AD Series exit trim is compatible with the following exit devices:

- Von Duprin 98/99 & 98/99XP¹ Rim, surface vertical rod, mortise. Concealed vertical cable and concealed vertical rod on metal doors only.
- Von Duprin 22/22F¹ Rim, surface vertical rod
- Falcon 25¹ - Rim
- Sargent® 80² Series - Rim
- Precision™ 21 Rim 2100 converts to 21 with Precision's BP21 kit
- Corbin Russwin® 5000 Series - Rim
- Yale® 7000 - Rim
- Dorma® 9300 - Rim

Available AD-250 reader options



Magnetic stripe (swipe)

- KEYPAD
- Triple track reader (1, 2 or 3), field configurable
- ABA, ISO76XX Standard
- Reader can be cleaned without removing lock from door
- 12 button, 3x4 matrix backlit keypad



Magnetic stripe (swipe)

- Triple track reader (1, 2 or 3), field configurable
- ABA, ISO76XX Standard
- Reader can be cleaned without removing lock from door
- 12 button, 3x4 matrix backlit keypad



Magnetic stripe (insertion)

- KEYPAD
- Triple track reader (1, 2 or 3), field configurable
- ABA, ISO76XX standard



Magnetic stripe (insertion)

- Triple track reader (1, 2 or 3), field configurable
- ABA, ISO76XX standard

¹ Request-to-exit switch optional for future network migration

² Narrow design and reversible rim exits not compatible

Ordering information

Available through one of our GSA schedule 84 approved distributions; BAA options available

AD-250-CY-70-MG-SPA-626-P6-S123-RH-4B-13-049-10-025-1 3/4

Series	Class	Chassis	Function	Reader	Lever style	Finish	Lever cylinder	Keying type	Handing	Battery	Backset and latch	Strike	Door thickness
1	2	3	4	5	6	7	8	9	10	11	12	13	14

Selections correspond with the numbers above

Standard options are indicated in bold. See price book for specific configuration options.

3	Chassis
CY	Cylindrical
MS	Mortise
MD	Mortise deadbolt
993R	Exit trim – Rim/CVC/CVR
993S	Exit trim – SVR
993M	Exit trim – mortise
993DT	Non-functioning dummy trim for exit
4	Function
70	Classroom/storeroom
50	Office
40	Privacy
60	Apartment
5	Reader
MG	Magnetic stripe (insertion)
MGK	Magnetic stripe + keypad (insertion)
MS	Magnetic stripe (swipe)
MSK	Magnetic stripe + keypad (swipe)
DT	Dummy trim
6	Lever
ATH	Athens
BRK	Boardwalk
BRW	Broadway
LAT	Latitude
LON	Longitude
RHO	Rhodes
SPA	Sparta
TLR	Tubular

Available with tactile warning options

7	Finish
626	Satin chrome
605	Bright brass
606	Satin brass
612	Satin bronze
619	Satin nickel
625	Bright chrome
643e	Aged bronze
626AM	Satin chrome antimicrobial
8	Lever cylinder type
P6	Schlage 6-pin Conventional key-in-lever cylinder
See price book for other SFIC, FSIC and less cylinder options available. Compatible with Schlage, Sargent, Corbin, Medeco and Yale.	
9	Keyway type
S123	Everest 29
See price book for other available keyway options including restricted keyways in Primus XP high security cylinders and master keying	
10	Handing
RH	Right handed
LH	Left handed
Field reversible	
11	Battery
4B	4AA
8B	8AA

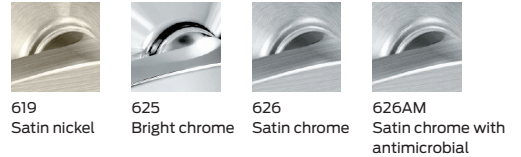
12	Backset and latch or armor front
Cylindrical	
13-049	2 3/4" backset, deadlatch, square corner, 1 1/8" x 2 1/4"
Mortise	
09-663	Armor front, 1 1/4" wide, square corner
See price book for mortise deadbolt and other backset and latch options or armor front options	
13	Strike
Cylindrical	
10-025	1 3/16" lip, ANSI, no box, 1 1/4" x 4 7/8"
Mortise	
10-072	1 3/16" lip, 1 1/4" x 4 7/8" square corner, box
See price book for other available strikes	
14	Door thickness
1 3/4"	
Other thicknesses available between 1 3/8" and 2 3/4"	
See price book for detail	

Finishes

Warm tone finishes



Cool tone finishes



Lever styles

Conventional cylinders shown, SFIC and FSIC also available.



About Allegion

Allegion (NYSE: ALLE) is a global pioneer in seamless access, with leading brands like CISA®, Interflex®, LCN®, Schlage®, SimonsVoss® and Von Duprin®. Focusing on security around the door and adjacent areas, Allegion secures people and assets with a range of solutions for homes, businesses, schools and institutions. Allegion had \$2.7 billion in revenue in 2020, and its security products are sold around the world. For more, visit www.allegion.com



ALLEGION™