



AD-300

Networked hardwired
electronic lock



Overview

AD Series electronic locks from Schlage® are designed to be modular and provide more options to choose from, more functionality in the lock and more compatibility with existing systems. Its patent-pending modular design allows the lock to be customized to fit the needs of an application now, and changed to meet future needs without removing it from the door.

Factory orderable options include choices of credential readers, chassis type, network configurations, locking functions, lever styles and finishes. It also offers a wide selection of features that can be configured in the field to customize your openings.

To simplify installation, the AD Series combines all the hardware components required at the door for a complete access control system into one integrated design that includes the electrified lock, credential reader, request-to-exit and request-to-enter sensors, door position switch, tamper switch and more.

The AD-300 has a number of features built in that are configurable in the field and a long list of items that can be monitored by access control software. Please consult one of our Physical Access Control Software (PACS) providers for details on the integration of specific features.

Features and benefits

- Open architecture platform
- Panel interface options ensure seamless communication with your system
- Real-time communication between access control system and lock
- Field configurable fail safe/fail secure and other capabilities per code
- Available in cylindrical, mortise, mortise deadbolt and exit trim
- Compatible with major brands of master key systems
- A wide selection of credential readers and networking options to choose from
- Compatible with NFC mobile credentials on iOS and Android platforms¹
- ANSI/BHMA A156.25, ANSI/BHMA Grade 1, UL 294, UL10C, FCC Part 15, ADA, Industry Canada (IC), FL12400², FL1591², FL13013² and FL14482²

¹ Check with PACS provider for specific support of Mobile Student IDs in Apple Wallet and Google Pay
² Applies to cylindrical and mortise chassis only

CYBERSECURITY

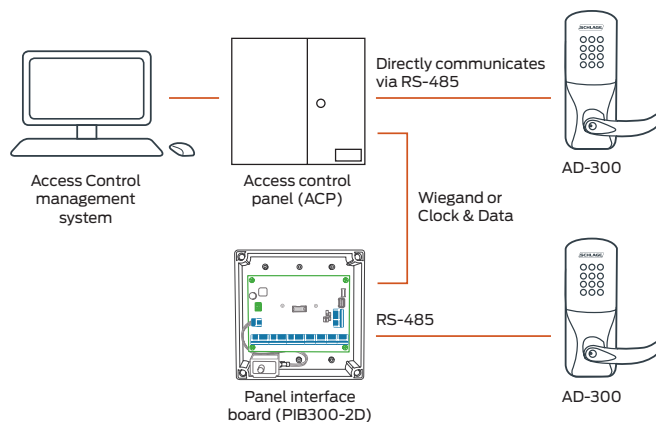
Learn about Allegion's commitment

AD-300 electronic lock specifications

| | |
|--------------------------------|--|
| Credential verification time | < 1 second ¹ |
| Data rate | RS-485 : 9.6 kbps |
| Visual/audible communications | Tri-colored LED's and audible indicators (field configurable) |
| System interface | Wiegand or Clock & Data via PIB300 or RS-485 directly |
| Power supply | 12 VDC or 24 VDC |
| Voltage range | 4 VDC to 26 VDC |
| Max current requirement | Up to 250 mA |
| Cable specifications for power | 18AWG, 2 conductor (Belden 8760 or equivalent) |
| Cable distance for power | AD-300 to power supply: up to 1000 ft (303 m) |
| Cable specifications for data | 24AWG, 2 or 4 conductor shielded (Belden 9841, 9842 or equivalent) |
| Cabling distance for data | AD-300 to PIB300 or ACP, RS-485: up to 4000 ft (1219 m) |
| Operating temperature | -31° to 151°F (-35° to 66°C) |
| Operating humidity | 0 - 100% non-condensing |
| Certifications | ANSI/BHMA A156.25, ANSI/BHMA Grade 1, UL 294, UL10 C, FCC Part 15, ADA |
| Accessories | Panel Interface Board (PIB300), SUS-A Cable used with SUS Android mobile app, Dry Contact Relay Board (RLBD) may be required for supervised inputs (Wiegand systems) |

PIB300-2D specifications

| | |
|--------------------------------------|--|
| Communication range | PIB300 to lock, RS-485: up to 4000 ft (1219 m) PIB300 to ACP, Wiegand or Clock & Data: up to 500 ft (152 m) |
| Visual/audible | 13 LEDs for status indicators |
| System interface | Wiegand or Clock & Data |
| Power supply | 12 VDC or 24 VDC |
| Voltage range | 9.5 VDC to 26 VDC |
| Max current requirement | Up to 250 mA |
| Operating temperature | -31° to 151°F (-35° to 66°C) |
| Dimensions (H x W x D) | 7.1" x 7.1" x 3.0" (18.0 cm x 18.0 cm x 7.6 cm) |
| Weight | 1.25 lb (.57 kg) |
| Cable specifications (PIB300 to ACP) | 22AWG, 8 conductor shielded (Alpha 1298C or equivalent) |
| Certifications | NEMA 1, 4, 4X, 6; UL 294; FCC Part 15; RoHS |



Functions

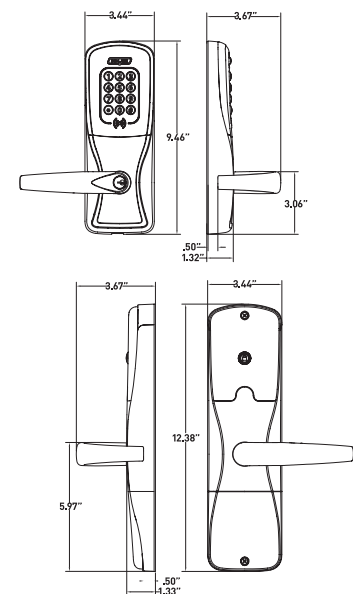
- Classroom/storeroom²
- Office^{2, 3, 4}
- Privacy^{3, 4}
- Apartment^{3, 4}

Available status signals

- Lock/unlock status⁵
- Request-to-exit
- Door position
- Mechanical key override³
- Deadbolt position³
- Interior cover tamper guard³
- Communication status³
- Interior push button³
- Request-to-enter³

Panel Interface Board (PIB300-2D)

If the system requires Wiegand or Clock & Data protocol (rather than a direct RS-485 connection), the AD Series open architecture platform connects up to two AD-300 locks to the Panel Interface Board (PIB300 - sold separately, if required) that seamlessly connects to an access control panel or reader interface board. All monitoring is captured at the remote monitoring station.



¹ Lock requires less than 100 msec, response time does not include latency time of ACP.

² Classroom/storeroom and office function not available with mortise deadbolt option.

³ Consult your PACS provider for specific scope of support. Interior pushbutton, mechanical key override and deadbolt position are only available when linked via PIM400-485.

⁴ Not available on exit trim.

⁵ Software indicates lock/unlock status based on sequence of events, but cannot validate mechanical clutch position unless monitored on RS-485 connection.

Mechanical specifications

| Chassis | Cylindrical | Mortise | Exit trim |
|----------------------------------|--|--|-------------------------|
| Handing | Handed to order, field reversible | | |
| ANSI standard (Meets or exceeds) | A156.25 A156.2 Series 4000 Grade 1 | A156.25 A156.13 Series 1000 Grade 1 | A156.25 A156.3 |
| Door thickness | 1 3/4" standard, 1 3/8" to 2 3/4" optional (available in 1/8" increments) | | |
| Backset | Standard: 2 3/4" Optional: 2 3/8", 3 3/4", 5" | 2 3/4" only | Defined by exit device |
| Latch bolt | Standard: 1/2" throw Optional: 3/4" throw | Standard: 3/4" throw Optional: 1" throw on mortise deadbolt | Provided by exit device |
| Levers | Pressure cast zinc, plated | | |
| Strike | Standard: 1 3/16" lip, ANSI, 1 1/4" x 4 7/8" Optional: Additional configurations available please see price book | | Provided by exit device |
| Cylinder and keys | Schlage® 6-pin Everest 29 S123 keyway Conventional cylinder with two patented keys standard. Additional options available including SFIC, FSIC and competitor brands. See lever and cylinder compatibility data sheet (010432) | | |

Multi-technology reader specification

| | |
|------------------------------------|---|
| Credential technologies | Proximity (125 kHz), Smart (13.56 MHz) and Near Field Communication (NFC) |
| Standards | Standards ISO standard 15693 and ISO 14443 |
| Maximum read range | Proximity: up to 1.25" Smart: up to .75" NFC mobile: mobile device dependent |
| Proximity credential compatibility | Compatibility: Schlage, ISONAS™, HID®, GE/CASI ProxLite®, AWID® and LenelProx® Schlage credential style formats: Clamshell, ISO card, ISO card with magnetic stripe, keyfob, thin keyfob, PVC adhesive disk |
| Smart credential compatibility | Secure sector compatibility: Schlage MIFARE Classic®, Schlage MIFARE Plus®, Schlage MIFARE® DESFire®, PIV and PIV-I ^{1,2} CSN only compatibility: HID iCLASS®, HID iCLASS SE®, Inside Contactless Pico Tag®, MIFARE Classic/Plus/DESFire, ST Microelectronics®, Texas Instruments Tag-It®, Phillips I-Code® Schlage credential style formats: Clamshell, ISO card, ISO card with magnetic stripe, keyfob, thin keyfob, wearable wristband, PVC adhesive patch |
| Mobile credential compatibility | NFC-enabled mobile devices ³ |
| Certifications/standards | FCC, Industry Canada (IC), UL 294 Listed, ISO standard 15693, and ISO standard 14443 |
| Style/layout | Option for 12 button, 3x4 matrix backlit keypad |

¹ FIPS 201-2 integration ready option available: The AD Series can be used in applications which require approval by the U.S. Federal Government under HSPD-12 for FIPS 201-2 compliance when installed as part of a tested and approved integrated solution. Please see the AD-402 data sheet or the AD-302 data sheet for complete details.

² 75 bit output format default. Configurable to other output formats.

³ Check with PACS provider for specific support of Mobile Student IDs in Apple Wallet and Google Pay.

Available AD Series reader modules



Multi-technology

- Proximity
- Smart
- NFC mobile

KEYPAD



Multi-technology

- Proximity
- Smart
- NFC mobile

KEYPAD



Smart - HID support

- Smart
- NFC mobile

KEYPAD



Smart - HID support

- Smart
- NFC mobile



Magnetic stripe (insertion)

KEYPAD



Magnetic stripe (insertion)



Magnetic stripe (swipe)

KEYPAD



Magnetic stripe (swipe)



Keypad

AD Series exit trim:

AD-300 exit trim is exclusively compatible with Von Duprin® 98/99 and 98/99XP (Rim, Mortise, and SVR. CVC and CVR on Metal doors only), Von Duprin 22/22F (Rim and SVR) and Falcon® 25 (Rim) exit devices made by Allegion™. The proper low current request-to-exit switch (RX-LC or AE) is required.

Part numbers for request-to-exit switch:

- Von Duprin: 050281
- Falcon: 650359

Benefits of AD Series multi-technology readers:

- Reads multiple brands of both proximity (125 kHz) and smart (13.56 MHz) technologies with single reader
- Compatible with NFC mobile credentials on iOS and Android platforms³
- Allows facility to migrate to more secure credential technologies over time and as budgets permit

Additional readers

Si option with HID® support

Supports:

- Secure application area of HID iCLASS®, iCLASS SE®, Seos® smart credentials
- iCLASS Standard Key and Elite Keys
- HID NFC mobile credentials
- All Schlage MIFARE® and NFC mobile credentials

Does not support:

- Proximity
- Bluetooth® (BLE) mobile credentials

Magnetic stripe

- Available with choice of insertion or swipe style readers
- Triple track reader (1, 2 or 3), field configurable
- ABA, ISO76XX standard

Keypad

- Backlit keypad
- 12 button, 3x4 matrix

Ordering information

Available through one of our GSA schedule 84 approved distributions; BAA options available

AD-300-CY-70-MG-SPA-626-P6-S123-RH-13-049-10-025-1 3/4

| Series | Class | Chassis | Function | Reader | Lever style | Finish | Lever cylinder | Keying type | Handing | Backset and latch | Strike | Door thickness |
|--------|-------|---------|----------|--------|-------------|--------|----------------|-------------|---------|-------------------|--------|----------------|
| 1 | 2 | 3 | 4 | 5 | 6 | 7 | 8 | 9 | 10 | 11 | 12 | 13 |

Selections correspond with the numbers above

Standard options are indicated in bold. See price book for specific configuration options.

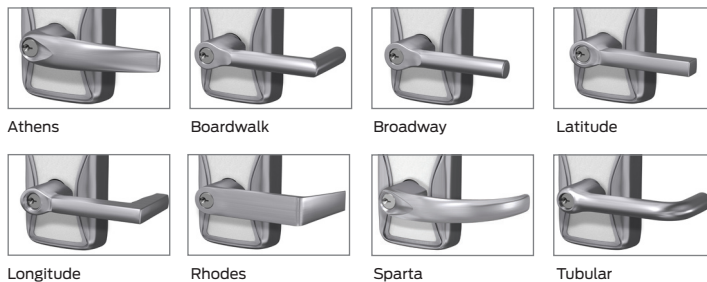
| | |
|--|--|
| 3 | Chassis |
| CY | Cylindrical |
| MS | Mortise |
| MD | Mortise deadbolt |
| 993R | Exit trim – Rim/CVC/CVR |
| 993S | Exit trim – SVR |
| 993M | Exit trim – mortise |
| 993DT | Non-functioning dummy trim for exit |
| 4 | Function |
| 70 | Classroom/storeroom |
| 50 | Office |
| 40 | Privacy |
| 60 | Apartment |
| Lock function capabilities are determined by users access control system | |
| 5 | Reader |
| KP | Keypad |
| MG | Magnetic stripe (insertion) |
| MGK | Magnetic stripe + keypad (insertion) |
| MS | Magnetic stripe (swipe) |
| MSK | Magnetic stripe + keypad (swipe) |
| MT | Multi-technology (125 kHz, 13.56 MHz, NFC) |
| MTK | Multi-technology + keypad (125 kHz, 13.56 MHz, NFC) |
| FMK | FIPS 201-2 compliant multi-technology + keypad (125 kHz and 13.56 MHz) |
| Si | Smart – HID support |
| SiK | Smart – HID support + keypad |
| DT | Dummy trim |
| 6 | Lever |

| | |
|---|---|
| ATH | Athens |
| BRK | Boardwalk |
| BRW | Broadway |
| LAT | Latitude |
| LON | Longitude |
| RHO | Rhodes |
| SPA | Sparta |
| TLR | Tubular |
| Available with tactile warning options | |
| 7 | Finish |
| 626 | Satin chrome |
| 605 | Bright brass |
| 606 | Satin brass |
| 612 | Satin bronze |
| 619 | Satin nickel |
| 625 | Bright chrome |
| 643e | Aged bronze |
| 626AM | Satin chrome antimicrobial |
| 8 | Lever cylinder type |
| P6 | Schlage 6-pin Conventional key-in-lever cylinder |
| See price book for other SFIC, FSIC and less cylinder options available. Compatible with Schlage®, Sargent®, Corbin Russwin, Medeco® and Yale®. | |
| 9 | Keyway type |
| S123 | Everest 29 |
| See price book for other available keyway options including restricted keyways in Primus XP high security cylinders and master keying | |
| 10 | Handing |
| RH | Right handed |
| LH | Left handed |
| Field reversible | |

| | |
|--|--|
| 11 | Backset and latch or armor front |
| Cylindrical | |
| 13-247 | 2 3/4" backset, deadlatch, square corner, 1 1/8" x 2 1/4" |
| Mortise | |
| 09-663 | Armor front, 1 1/4" wide, square corner |
| See price book for mortise deadbolt and other backset and latch options or armor front options | |
| 12 | Strike |
| Cylindrical | |
| 10-025 | 1 3/16" lip, ANSI, no box, 1 1/4" x 4 7/8" |
| Mortise | |
| 10-072 | 1 3/16" lip, 1 1/4" x 4 7/8" square corner, box |
| See price book for other available strikes | |
| 13 | Door thickness |
| 1 3/4" | |
| Other thicknesses available between 1 3/8" and 2 3/4" | |
| See price book for detail | |

Lever styles

Conventional cylinders shown, SFIC and FSIC also available.



Athens Boardwalk Broadway Latitude Longitude Rhodes Sparta Tubular

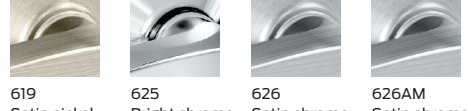
Finishes

Warm tone finishes



605 Bright brass 606 Satin brass 612 Satin bronze 643e Aged bronze

Cool tone finishes



619 Satin nickel 625 Bright chrome 626 Satin chrome 626AM Satin chrome with antimicrobial

Allegion, the Allegion logo, Falcon, Schlage, the Schlage logo, and Von Duprin are trademarks of Allegion plc, its subsidiaries and/or affiliates in the United States and other countries. All other trademarks are the property of their respective owners.

About Allegion

Allegion (NYSE: ALLE) is a global pioneer in seamless access, with leading brands like CISA®, Interflex®, LCN®, Schlage®, SimonsVoss® and Von Duprin®. Focusing on security around the door and adjacent areas, Allegion secures people and assets with a range of solutions for homes, businesses, schools and institutions. Allegion had \$2.7 billion in revenue in 2020, and its security products are sold around the world. For more, visit www.allegion.com



ALLEGION™