

**SCHLAGE**

## CO-250

Standalone electronic lock



Images shown are not to scale.

### Overview

The CO Series is the ideal solution for customers seeking the added security and convenience of electronic access control without the cost or complexity of a fully networked system.

The CO-250 is a computer programmable offline lock that stores user rights on the magnetic stripe credential, and captures an audit trail in the lock. The CO-250 provides dynamic rights management, meaning you do not have to visit the door to change user access rights. This makes it a cost effective solution for offline environments with a large number of users. The CO-250 also allows you to retrieve audits by using the Schlage Utility Software (SUS) mobile app with SUS-A cable in conjunction with your access control software.

The CO-250 from Schlage offers you many choices. Cylindrical, mortise, mortise deadbolt, and exit trim chassis options are available as well as a wide variety of finishes and levers to suite with your existing hardware.

Mechanical key override is standard and compatible with multiple cylinder types. The CO Series is also compatible with many popular brands of exit devices.

The CO Series has been tested the highest standards in the industry to ensure quality and reliability you have come to expect from Schlage. The CO Series is ANSI/BHMA A156.25, ANSI/BHMA Grade 1 certified and UL 294 Listed.

### Features and benefits

- Computer programmable with audit trail
- Unlimited number of users and up to 4000 audits<sup>1</sup>
- Available with magnetic stripe and magnetic stripe plus keypad
- Up to 32 holidays and 16 time zones<sup>1</sup>
- ANSI/BHMA A156.25, ANSI/BHMA Grade 1 certified, UL 294 listed, FL12400<sup>2</sup>, FL1591<sup>2</sup>, FL13013<sup>2</sup> and FL14482<sup>2</sup>
- User rights stored on the magnetic stripe credential
- The ability to easily add and delete users
- Available in cylindrical, mortise, mortise deadbolt, and exit trim
- Compatible with major brands of key systems and exit devices
- Classroom/storeroom, office, and privacy functions available

<sup>1</sup> Depending on access control software.

<sup>2</sup> Applies to cylindrical and mortise chassis only

## CO-250 electronic lock specifications

Users	Unlimited <sup>1</sup>
Audits	Up to 4,000 <sup>1</sup>
Credential verification time	≤ 1 second
Visual/audible communications	Tri-colored LED's and audible indicators (field configurable)
System interface	SUS mobile app on compatible Android devices with SUS-A Cable
Power supply	4 AA batteries
Battery life	Up to 2 yrs with 4 AA batteries
Operating temperature - exterior	-31° to 151°F (-35° to 66°C)
Operating temperature - interior	32° to 120°F (0° to 49°C) due to batteries
Operating humidity	0 - 100% non-condensing
Certifications	ANSI/BHMA A156.25, ANSI/BHMA Grade 1, UL 294, UL 10 C, UL Canada, FCC Part 15, ADA
Accessories	SUS-A Cable with SUS Android mobile app, magnetic stripe credential encoder (CL-Encoder 2)

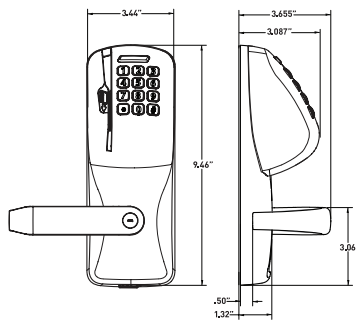
### Functions

- Classroom/storeroom<sup>2</sup>
- Office<sup>2</sup>
- Privacy<sup>3</sup>

### Standard status signals

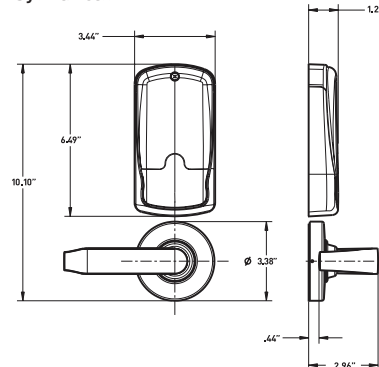
- Mechanical key override
- Battery status
- Access granted/access denied
- Programming commands

#### Exterior of the lock

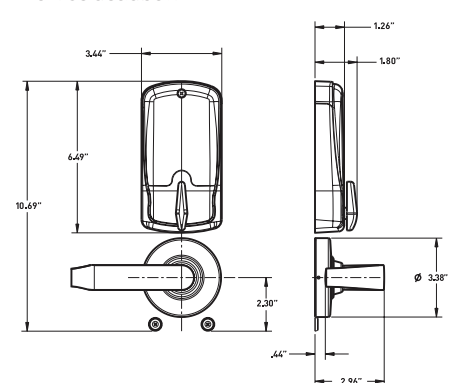


#### Interior of the lock

##### Cylindrical



##### Mortise deadbolt



## Schlage Utility Software

The Schlage Utility Software (SUS) mobile app on compatible Android mobile devices and SUS-A cable provides an easy way to manage people, audits and locks for simple access control management.

### Schlage Utility Software

- Initialize lock and accessories
- Field configure devices
  - Credential reader formats
  - Lock function
  - Unlock period
  - Failure mode
  - Audible alarm on/off
- Service and diagnostics
  - Battery status
  - Validate hardware and software revision
  - Troubleshooting status signals
  - Firmware upgrades
- New device template simplifies configuration



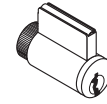
<sup>1</sup> Depending on access control software.

<sup>2</sup> Classroom/storeroom and office function not available with mortise deadbolt option. To ensure safety, all functions always allow for free egress.

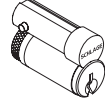
<sup>3</sup> Door position switch is required for cylindrical and mortise chassis with privacy function.

## Mechanical specifications

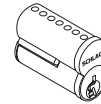
Chassis	Cylindrical	Mortise	Exit trim
Handing	Handed to order, field reversible		
ANSI standard (Meets or exceeds)	A156.25 A156.2 Series 4000 Grade 1	A156.25 A156.13 Series 1000 Grade 1	A156.25 A156.3
Door thickness	1 3/4" standard, 1 3/8" to 2 3/4" optional (available in 1/8" increments)		
Backset	Standard: 2 3/4" Optional: 2 3/8", 3 3/4", 5"	2 3/4" only	Defined by exit device
Latch bolt	Standard: 1/2" throw Optional: 3/4" throw	Standard: 3/4" throw Optional: 1" throw on mortise deadbolt	Provided by exit device
Levers	Pressure cast zinc, plated		
Strike	Standard: 1 3/16" lip, ANSI, 1 1/4" x 4 7/8" Optional: Additional configurations available please see price book		Provided by exit device
Cylinder and keys	Schlage 6-pin Everest 29 S123 keyway Conventional cylinder with two patented keys standard. Additional options available including SFIC, FSIC and competitor brands. See lever and cylinder compatibility data sheet (010432)		
Exit device compatibility	See CO Series exit trim compatibility data sheet (004183)		



Full cylinder



Full Size Interchangeable Core



Small Format Interchangeable Core

Available  
CO-250  
reader  
specifications



### Magnetic stripe

- KEYPAD
- Triple track reader (1, 2 or 3), field configurable
- ABA, ISO76XX standard
- 12 button, 3x4 matrix keypad



### Magnetic stripe

- Triple track reader (1, 2 or 3), field configurable
- ABA, ISO76XX standard

# Ordering information

Available through one of our GSA schedule 84 approved distributions

Required fields						Factory defaults and options								
CO	-250	-CY	-70	-MS	-SPA	-626	-P6	-S123	-RH	-13	-049	-10	-025	-1 3/4
Series	Class	Chassis	Function	Reader	Lever style	Finish	Lever cylinder	Keying type	Handing	Backset and latch	Strike	Door thickness		
1	2	3	4	5	6	7	8	9	10	11	12	13		

Selections correspond with the numbers above

Standards options are indicated in bold. See price book for specific configuration options.

3	Chassis
CY	Cylindrical
MS	Mortise
MD	Mortise deadbolt
993R	Exit trim – Rim/CVC/CVR
993S	Exit trim – SVR
993M	Exit trim – mortise
993DT	Dummy exit trim
4	Function
70	Classroom/storeroom
50	Office
40	Privacy
5	Reader
<b>MS</b>	<b>Magnetic stripe</b>
MSK	Magnetic stripe + keypad
6	Lever
ATH	Athens
BRK	Boardwalk
BRW	Broadway
LAT	Latitude
LON	Longitude
RHO	Rhodes
SPA	Sparta
TLR	Tubular

Available with tactile warning options

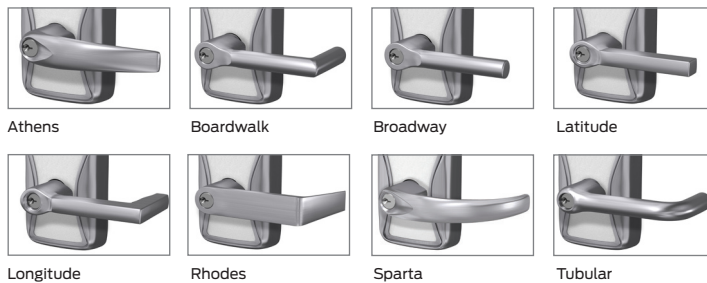
7	Finish
<b>626</b>	<b>Satin chrome</b>
605	Bright brass
606	Satin brass
612	Satin bronze
619	Satin nickel
625	Bright chrome
643e	Aged bronze
626AM	Satin chrome antimicrobial
8	Lever cylinder type
<b>P6</b>	<b>Schlage 6-pin Conventional key-in-lever cylinder</b>
See price book for other SFIC, FSIC and less cylinder options available. Compatible with Schlage®, Sargent®, Corbin Russwin, Medeco® and Yale®.	
9	Keyway type
<b>S123</b>	<b>Everest 29</b>
See price book for other available keyway options including restricted keyways in Primus XP high security cylinders and master keying	
10	Handing
<b>RH</b>	<b>Right handed</b>
RHR	Right handed reverse
LH	Left handed
LHR	Left handed reverse

Field reversible

11	Backset and latch or armor front
<b>Cylindrical</b>	
<b>13-049</b>	<b>2 3/4" backset, deadlatch, square corner, 1 1/8" x 2 1/4"</b>
<b>Mortise</b>	
<b>09-663</b>	<b>Armor front, 1 1/4" wide, square corner</b>
See price book for mortise deadbolt and other backset and latch options or armor front options	
12	Strike
<b>Cylindrical</b>	
<b>10-025</b>	<b>1 3/16" lip, ANSI, no box, 1 1/4" x 4 7/8"</b>
<b>Mortise</b>	
<b>10-072</b>	<b>1 3/16" lip, 1 1/4" x 4 7/8" square corner, box</b>
See price book for other available strikes	
13	Door thickness
<b>1 3/4"</b>	
Other thicknesses available between 1 3/8" and 2 3/4"	
See price book for details	

## Lever styles

Conventional cylinders shown, SFIC and FSIC also available.



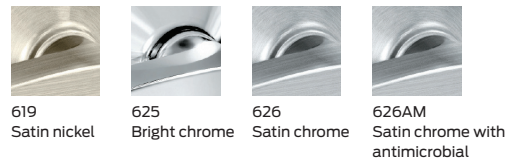
Allegion, the Allegion logo, Schlage, the Schlage logo, XceedID, and Falcon are trademarks of Allegion plc, its subsidiaries and/or affiliates in the United States and other countries. All other trademarks are the property of their respective owners.

## Finishes

Warm tone finishes



Cool tone finishes



## About Allegion

Allegion (NYSE: ALLE) is a global pioneer in safety and security, with leading brands like CISA®, Interflex®, LCN®, Schlage®, SimonsVoss® and Von Duprin®. Focusing on security around the door and adjacent areas, Allegion produces a range of solutions for homes, businesses, schools and other institutions. Allegion is a \$2 billion company, with products sold in almost 130 countries. For more, visit [www.allegion.com](http://www.allegion.com).

KRYPTONITE ■ LCN ■ **SCHLAGE** ■ STEELCRAFT ■ VON DUPRIN



© 2021 Allegion  
004184, Rev. 09/21  
[www.allegion.com/us](http://www.allegion.com/us)