



19102

1910S-1/L1910S-1 Horn Strobe and Latching Horn Strobe



Installation Instructions



SPECIFICATIONS

Voltage: 12 or 24 VDC
Current: 28 mA maximum average
Temperature: 32° F to 120° F (not for outdoor use)

Customer Service

1-877-671-7011

www.allegion.com

INSTALLATION

1 Set horn strobe options.

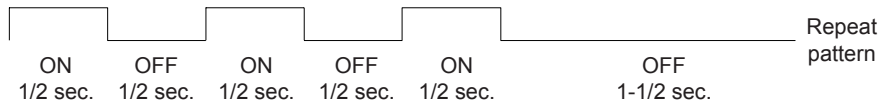
The following horn strobe options can be set in the field:

Brightness: Strobe brightness measured in candella. Strobe brightness is set using the slider switch on the back of the horn strobe (Figure 1).

Volume: High or low

Tone: Electromechanical tone

Code: Non-temporal code (continuous tone) or temporal code (interrupted tone). Non-temporal code uses the pattern shown below.



The horn strobe is shipped factory set for high volume temporal (interrupted) code.

If necessary, change the setting before installing the horn strobe assembly.

Change the setting by turning switch on the back of the horn strobe (Figure 1). Switch settings are shown in raised lettering on the back of the horn strobe.

⚠ CAUTION ⚠

Remove power from horn strobe before changing settings.



Figure 1, Location of Setting Switches (back of horn strobe)

2 Wire the horn strobe.

Typical wiring for 1910S-1 horn strobe

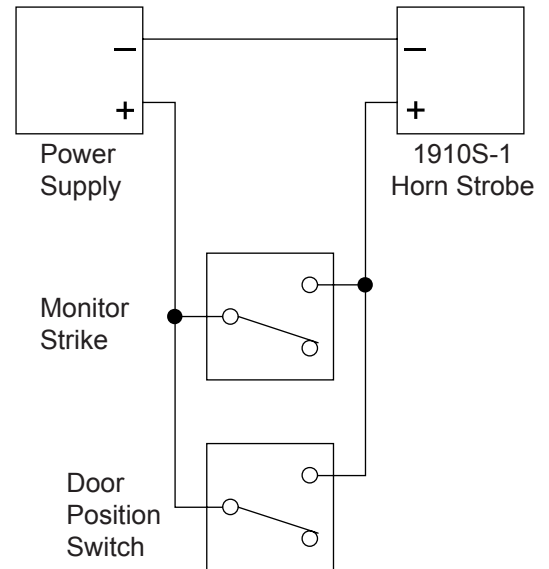
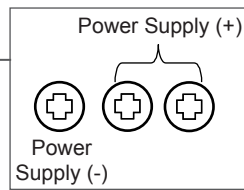


Figure 2, Wiring (front of mounting plate)

- Horn strobe activates when latchbolt retracts or when door opens.
- Horn strobe stops when latchbolt engages strike and door closes.
- Switches are shown with latchbolt engaging strike, door closed.

Typical wiring for L1910S-1 latching horn strobe

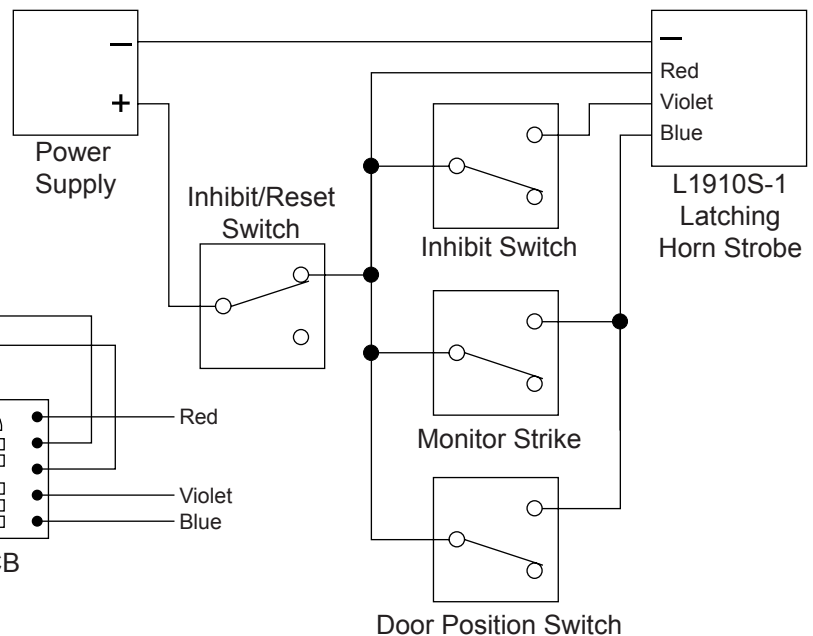
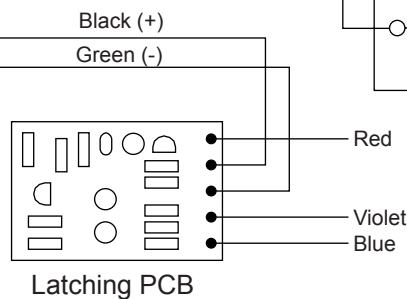


Figure 3 Wiring (front of mounting plate)

- Horn strobe activates when latchbolt retracts or when door opens.
- Horn strobe remains active when latchbolt engages strike and door closes.
- Toggle Inhibit/Reset Switch OFF and ON to reset latched horn strobe.
- Close Inhibit Switch or open Inhibit/Reset Switch to prevent horn strobe from activating when voltage is applied to the blue wire.
- Switches are shown with latchbolt engaging strike, door closed.

Blue: Apply voltage to latching PCB and to activate horn strobe.

Red: Must apply voltage for horn strobe to operate. Remove and reapply voltage to reset latched horn strobe.

Violet: Apply voltage to prevent horn strobe from activation.

3 Mount the horn strobe.

Flush Mount

- Secure flush mount plate to 4" back box with two #8-32 x 3/4" screws.
- Complete field wiring.
- Attach the horn strobe assembly to the mounting plate. Refer to Figure 6.
- Secure horn strobe assembly with the captured screw*.

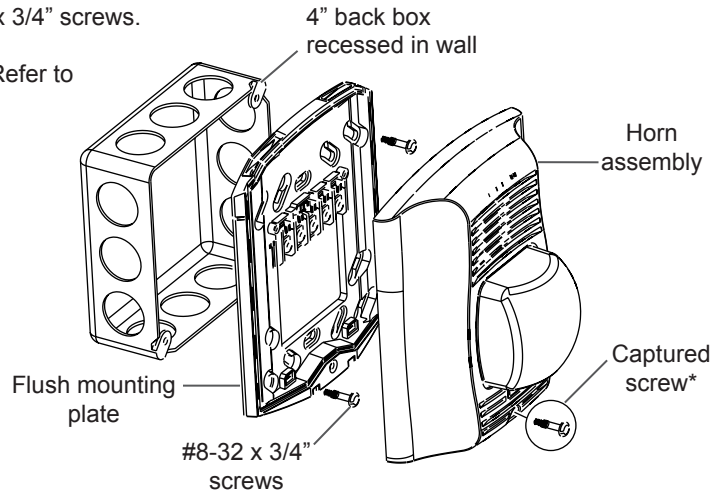


Figure 4, Flush Mounting

Surface Mount

- Secure surface mount back box to mounting plate with two #8-32 x 3/4" screws.
- Complete field wiring.
- Attach the horn strobe assembly to the mounting plate. Refer to Figure 6.
- Secure horn strobe assembly with the captured screw*.

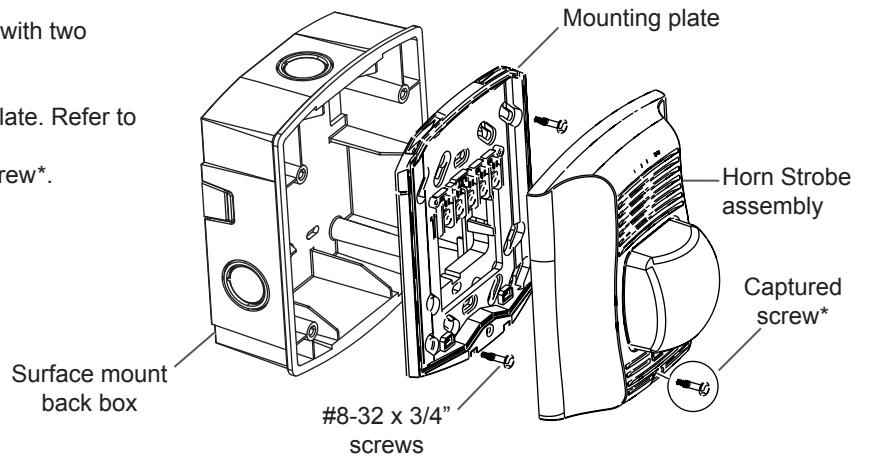
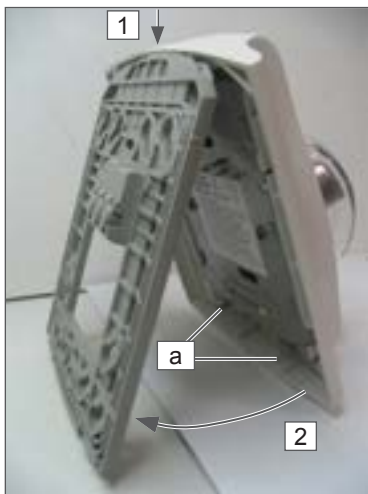


Figure 5, Surface Mounting

*Captured screw may be replaced with Torx screw (provided) for tamper resistance.

Screw pack contains: #8-32 x 3/4" screws (4), Torx head screw (1)



- Lower horn strobe assembly onto the top of mounting plate.
- Swing bottom towards mounting plate until tabs (a) on horn strobe assembly click into slots on mounting plate.

Figure 6, Attach Horn Strobe Assembly

