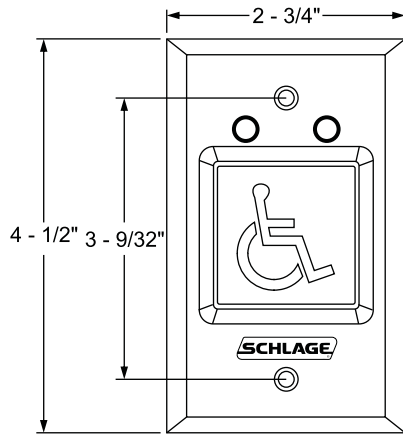




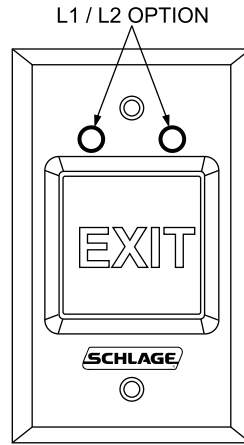
70901_FST

709 Series Illuminated Pushbutton Switch

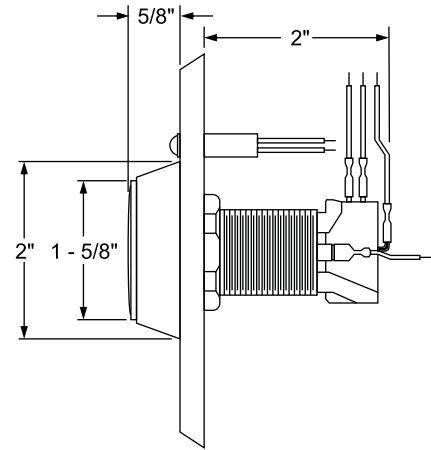
Installation Instructions



709 SINGLE GANG
(‘BLH’ STYLE SHOWN w/‘L2’ OPTION)



709 SINGLE GANG
(‘RD EX’ STYLE SHOWN w/‘L2’ OPTION)



SIDE VIEW

Specifications

Switches:

Contact Ratings:

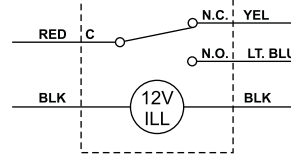
5 Amps @ 30 VDC

Wire Leads:

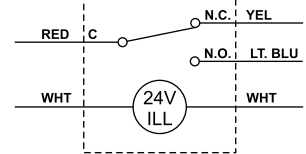
20 AWG - 8” Long

Wire Colors

12 VOLT SPDT SWITCH CONTACTS



24 VOLT SPDT SWITCH CONTACTS



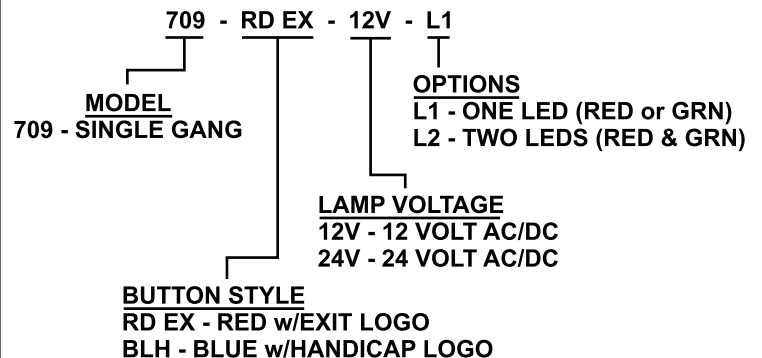
L1 / L2 OPTION



Recommended Electrical Mounting Box

Style:	Part Number:
Surface Mount	744-1

Model Numbering



Customer Service

1-877-671-7011

www.allegion.com/us

