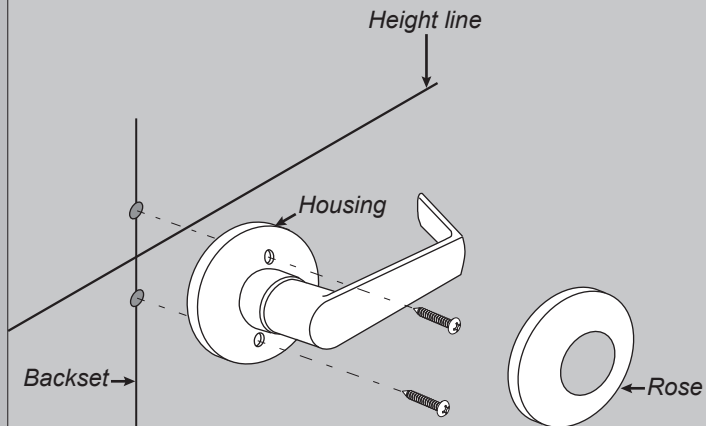


S170 Single Dummy Trim Installation Instructions



1. Follow instructions on template to mark and drill two $\frac{3}{16}$ " pilot holes.



2. Secure dummy trim with two screws.

3. Slide rose over lever and snap in place over housing.