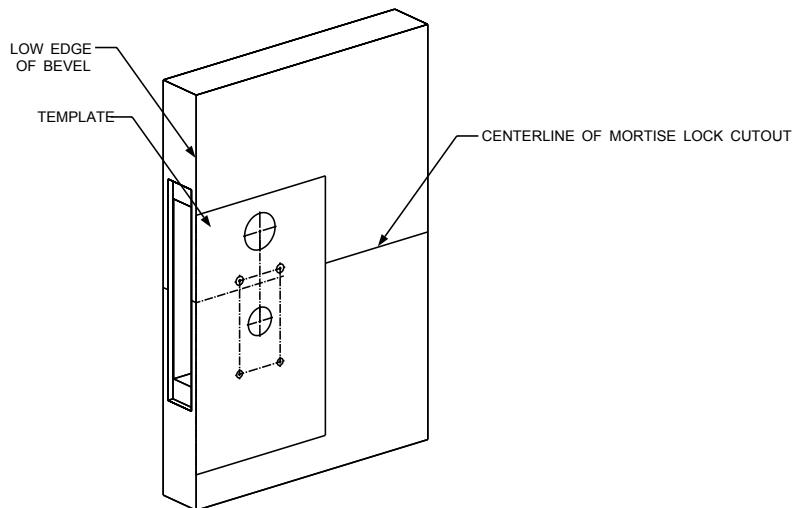


INSTALLATION INSTRUCTIONS

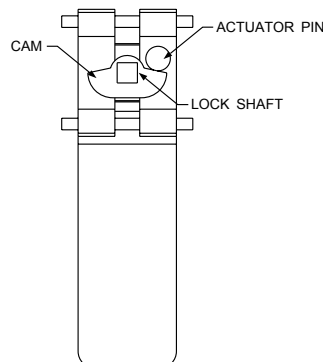
HL6T-7500 PULL LATCH

NOTE: DOOR AND FRAME SHOULD BE PREPPED FOR VON DUPRIN 7500 SERIES LOCK.

- 1 A. INSTALL DOOR.
B. MARK HORIZONTAL CENTERLINE OF MORTISE LOCK CUTOUT ON FACE AND EDGE OF DOOR.
C. PREPARE DOOR AS INDICATED ON TEMPLATE.



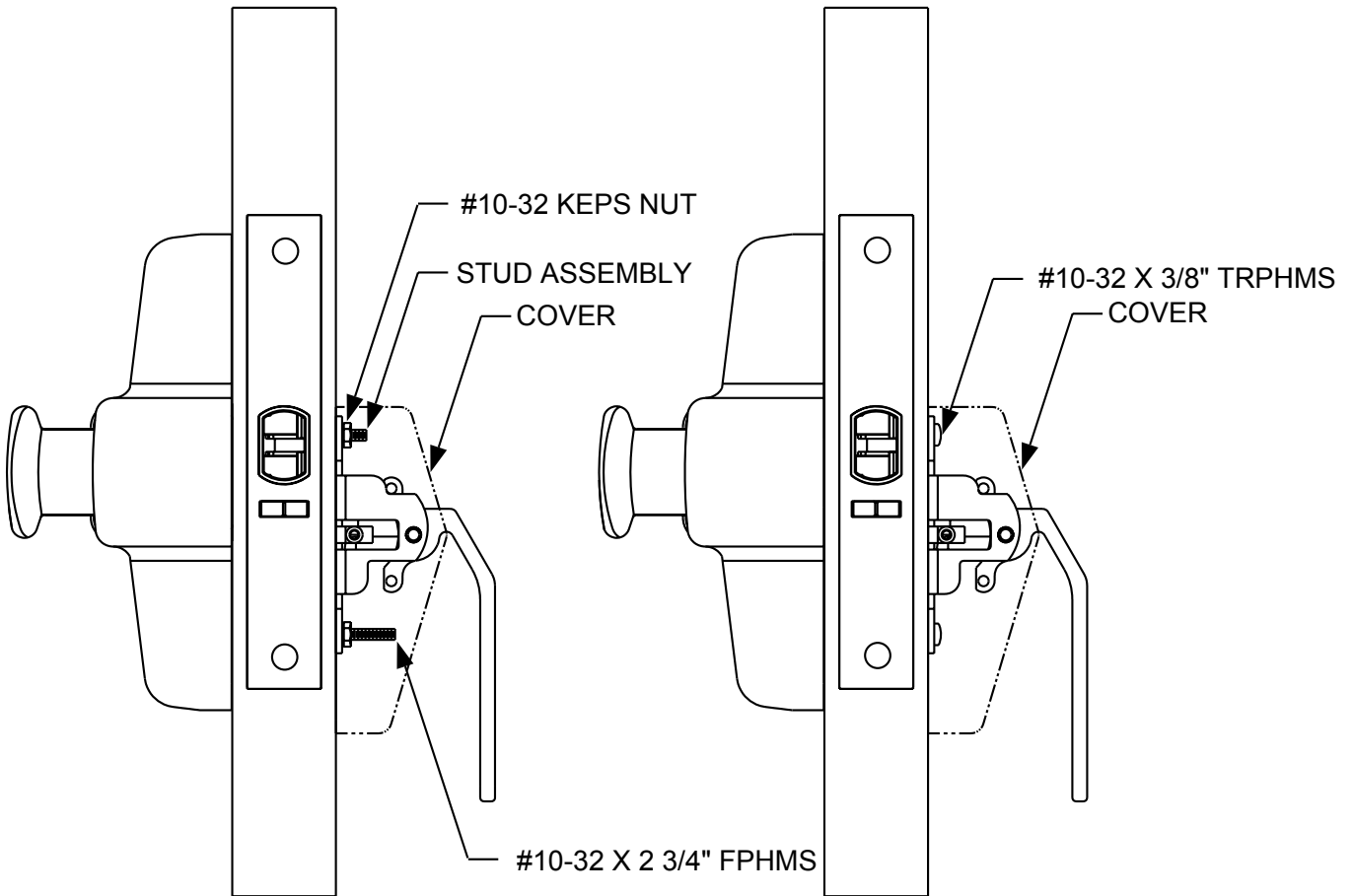
- 2 INSTALL 7500 SERIES STRIKE PER VON DUPRIN INSTALLATION INSTRUCTIONS.
- 3 FOR WOOD DOORS ONLY, INSTALL STUD ASSEMBLY (EITHER THRU THE TOP 2 MOUNTING HOLES FOR VERTICAL PADDLE MOUNTING OR THRU THE FRONT 2 MOUNTING HOLES FOR HORIZONTAL PADDLE MOUNTING).
- 4 INSTALL 7500 SERIES LOCK PER VON DUPRIN INSTALLATION INSTRUCTIONS.
- 5 REMOVE COVER SCREWS AND REMOVE COVER FROM PULL HANDLE ASSEMBLY. CAM SHOULD BE POSITIONED AS SHOWN BELOW.



ALLEGION™

© Allegion 2018
Printed in U.S.A.
829363 Rev. 04/18-c

- 6 INSTALL PULL HANDLE ASSEMBLY WITH LOCK SHAFT IN KNOB HUB.
- 7 SECURE PULL HANDLE ASSEMBLY. FOR THE WOOD DOORS USE 4 OF THE #10-32 KEPS NUTS AND 2 OF THE #10-32 X 2 3/4" FPHMS. FOR METAL DOORS USE 4 OF THE #10-32 X 3/8" TRPHMS.
- 8 INSTALL LOCK CYLINDERS AS NECESSARY AND SECURE. PADDLES ON KEY SIDE MUST BE MOUNTED IN DOWN OR HORIZONTAL POSITIONS.
- 9 INSTALL COVER.



WOOD DOOR APPLICATION

HOLLOW METAL DOOR APPLICATION

APPLICATION	QTY	FASTENER DETAIL
HANDLE ASSEMBLY	2	#10-32 X 2 3/4" FPHMS
HANDLE ASSEMBLY	2	#10-32 X 2 3/4 TRPHMS
HANDLE ASSEMBLY	4	#10-32 KEPS NUT
HANDLE ASSEMBLY	1	STUD ASSEMBLY
HANDLE ASSEMBLY	4	#10-32 X 3/8" TRPHMS
COVER	4	#6-32 X 3/8" UPHMS