

MultiPoint Lock Security

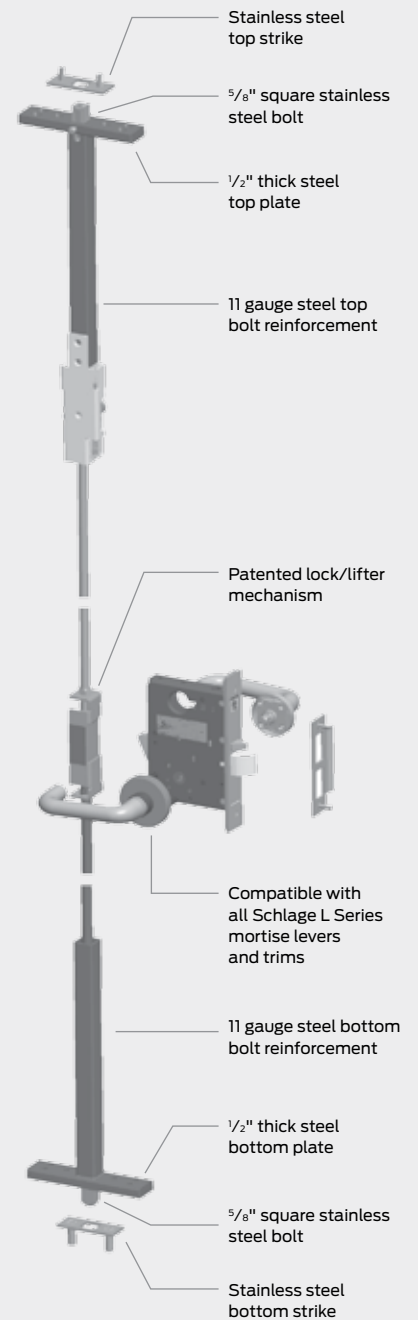
for high security applications

Overview

MultiPoint Lock Security is an integrated door, frame, and three-point lock solution specifically designed for high security applications where a single latch or latch and deadbolt are insufficient. MultiPoint Lock Security is a three-point locking system that secures the door at three locations – the top, bottom, and center latch points.

Features and benefits

- Six available functions supporting a wide range of applications
 - Passage, exit, storeroom, classroom, classroom security, and office/inner entry
 - VandIGard® available for additional protection from forced entry
- Compatible with all Schlage Mortise lock key systems
 - Standard, FSIC and SFIC key systems available
 - Patented key systems, including Everest 29™ with patented keyway through 2029
- Compatible with all Schlage L Series Mortise trims and finishes
 - 31 lever designs allow complete suiting with Schlage L Mortise and LT Tubular locks along with Von Duprin exit devices.
 - Sectional (rose) or escutcheon trim
 - 13 different finishes
- Seamless operation
 - Handle rotation retracts all three latches; closing door re-engages all latches
- Simple installation
 - Vertical rods pre-assembled and factory aligned in door
 - Mortise lock can be installed/removed with door installed
- Multiple door designs available (compatible with B Series steel stiffened or L Series doors with a variety of cores for enhanced strength or thermal performance)
 - 2' 6" x 6' 8" minimum to 4' 0" x 8' 0" maximum single door (inswinging and outswing)
 - 5' 0" x 6' 8" minimum to 8' 0" x 8' 0" maximum pair doors (inswinging and outswing)
- Certifications
 - UL10C 3 hour fire rating available



Note: This datasheet is for MultiPoint Lock Security only. For information on MultiPoint Lock Tornado, Tornado Shutter or Hurricane specific solutions, visit www.allegion.com/us.

Ordering guidelines

The MultiPoint Lock Security solution requires separate orders for the lock, door (includes the vertical rods), frame and miscellaneous hardware.

MultiPoint Lock Order from Schlage using the Schlage order form as follows:

Function	Trim	Finish	Handing	Options
LM9350P	03A	626	RHR	XLxx-xxx

Lock specifications

Function*	LM9310 (passage), LM9325 (exit), LM/LMV9350 (office/entry), LM/LMV9370 (classroom), LM/LMV9371 (classroom security), LM/LMV9380 (storeroom)
Trim**	All L Series levers, knobs, roses, and escutcheons available
Finish**	All L Series finishes available
Handing	LH, LHR, RH, RHR (Note: must specify handing on order)
Options	All L Series options available except electrified

All other lock parameters pre-defined as part of MultiPoint Lock Security solution, no value required.

*Include cylinder suffix when ordering function. Less cylinder not available on storeroom function. LMV refers to Vandlgard® free-wheeling outside trim option.

**Not all lever/knobs available in all finishes; consult price book or customer care.

MultiPoint Security Door Order from Steelcraft using the Steelcraft door ordering form as follows (includes vertical rods):

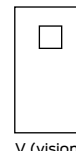
Door type	Gauge	Width	Height	Type	Hand	Lock prep	Galv. A-60	Closer prep	Cores	Labels	Hinge prep	Inactive leaf	Floor clear
L	14	8'	8'	V	RHR	LM9350 rose	Galv.	Standard	Polystyrene	UL 3 hour	5" high frequency	Inactive	3/8"

Door specifications

Door type	B Series (steel-reinforced) or L Series (selectable core)
Gauge	14, 16
Width	2' 6" - 8' 0"
Height	6' 8" - 8' 0"
Type	F (flush), V (vision light)
Handing	LH, LHR, RH, RHR
Lock prep	LM/LMV function, rose or escutcheon trim
Galv. A-60	Optional
Closer prep	Optional (standard only)
Cores	B Series doors: Steel-reinforced only / L Series doors: Kraft Cell Honeycombed standard, polystyrene or polyurethane optional
Labels	B Series doors: Optional UL 20 minute, 45 minute, 1 hour, 90 minute, 3 hour / L Series doors: Optional UL or WH 20 minute, 45 minute, 1 hour, 90 minute, 3 hour / NOTE: Labels not available for L Series door with Polyurethane core
Hinge prep	4 1/2", 4 1/2" high frequency top hinge, 5", 5" high frequency top hinge, continuous (full mortise only)
Inactive leaf	Optional (inactive with or without Z- astragal, wide inactive)
Floor clearance***	1/4", 3/8", 1/2", 5/8", 3/4"



F (flush)



V (vision)

For use with Steelcraft B Series (steel stiffened) or L Series (selectable core) doors, in either F (flush) or V (vision light) configurations.

All other door parameters pre-defined as part of MultiPoint Lock Security solution, no value required.

***Refer to hardware template for recommended clearance.

MultiPoint Security Frame Order from Steelcraft using the Steelcraft frame ordering form as follows:

Frame series	Gauge	Jamb depth	Width	Height	Hand	Strike prep	Closer prep	Labels	Hinge prep	Anchors	Head
F	14	5 3/4"	8'	8'	RHA	LM9350, ASA	Regular	UL 3 hour	5" high frequency	Masonry	4"

Frame specifications

Frame series	F for Security applications
Gauge	14, 16
Jamb depth	5 3/4" - 14 3/4"
Width	2' 6" - 8' 0"
Height	6' 8" - 8' 0"
Handing	LH, RH for single door; specify active leaf for pairs (LHA, RHA)
Strike prep	LM/LMV function head and sill; ASA strike prep
Closer prep	Optional (regular or parallel arm)
Labels	B Series doors: Optional UL 20 minute, 45 minute, 1 hour, 90 minute, 3 hour L Series doors: Optional UL or WH 20 minute, 45 minute, 1 hour, 90 minute, 3 hour
Hinge prep	4 1/2", 4 1/2" high frequency top hinge, 5", 5" high frequency top hinge, continuous (full mortise only)
Anchors	Masonry, wood stud, steel stud, wire, EMA, welded EMA
Heads	Optional (4")

All other frame parameters pre-defined as part of MultiPoint Lock Security solution, no value required.