

# NDE

## Mobile Enabled Wireless Cylindrical Lock



### Overview

The Schlage® NDE mobile enabled wireless cylindrical lock is designed to affordably extend electronic access control deeper into the building beyond traditional perimeter and high security openings and offers users the security and convenience of using a smart device to gain access.<sup>1</sup>

NDE wireless locks simplify installation by combining the lock, credential reader, door position sensor and request-to-exit switch all in one unit, eliminating the need to install additional components or run wires to each opening.

The open architecture design of NDE allows it to be managed by Allegion software or to be integrated into popular physical access control systems through our PACS Alliance program<sup>2</sup>. This enables customers to choose the system that best fits their requirements now and transition to another solution at any time.

NDE suites with all Schlage ND levers and keyways to provide attractive options to meet the requirements of nearly any environment.

### Encryption Key & Credential Interoperability

- Hardware configured with our default encryption key or custom key developed by Schlage Custom Encryption Key Service (SCEKS) including NXP, HID® and NFC
- Schlage MIFARE® DESFire® and MIFARE Classic® credentials
- Apple Wallet® and Google Wallet™ NFC student ID and employee badge
- HID iCLASS®, iCLASS SE® and SEOS® plastic and NFC mobile credentials
- Other competitive credentials (see the [Credential Compatibility Guide](#))

### Schlage Credential Services

- CardTrax™ credential format sequencing service offering industry standard formats
- Custom format development

1. Use of mobile credential is dependent on availability of compatible mobile credential.

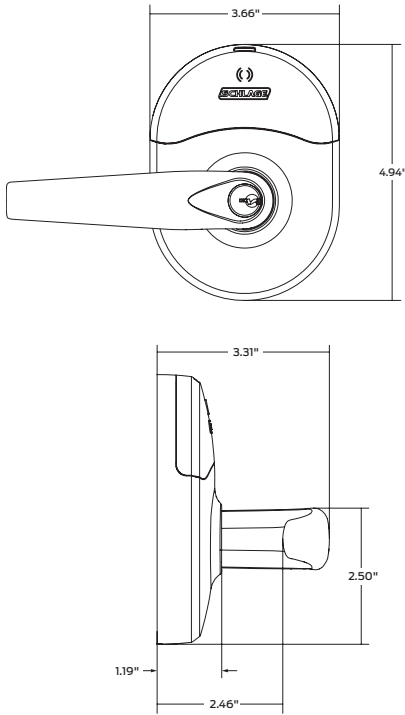
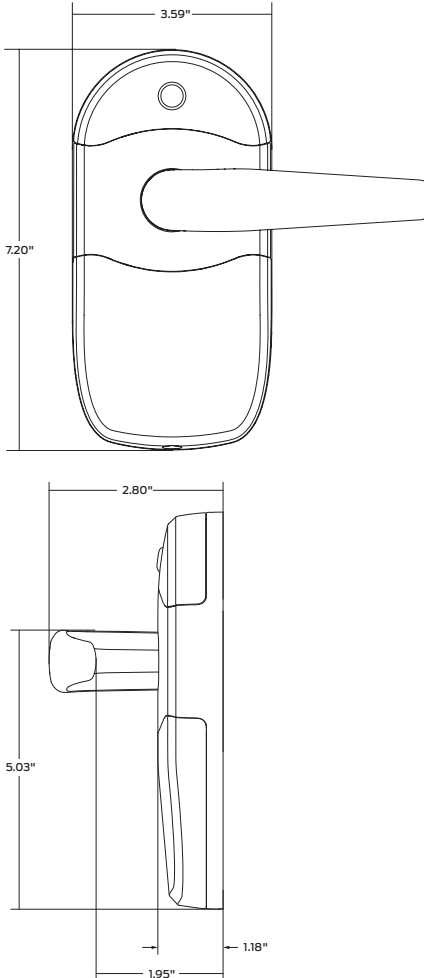
2. Integration with NDE mobile enabled wireless locks required for operation. For information on PACS providers and their capabilities visit [us.allegion.com/alliances](http://us.allegion.com/alliances).

### Features & Benefits

- NDE includes interior push button with indication for storeroom, office, privacy, and apartment applications
- Standard multi-technology credential compatibility includes Schlage MIFARE®, Bluetooth® and NFC mobile<sup>1</sup>, and proximity
  - Optional support for HID® smart and NFC mobile credentials
- Wireless configuration from connected smartphones and tablets
- Built-in Wi-Fi® enables automated daily updates sent directly from host software
- Networked real-time communication available with the ENGAGE Gateway and PACS provider solutions<sup>2</sup>
- Ideal for office and suite entries, conference rooms, common area doors, resident units, and sensitive storage areas
- Fits mechanical ND door prep with minor modifications
- Weather resistant design
- Lever handing is field reversible in seconds; no tools required
- Up to 2 years of battery life

#### CYBERSECURITY

Learn about Allegion's commitment

**Exterior of the Lock**

**Interior of the Lock**

**NDE Wireless Lock Specifications**

Users	Up to 5,000 <sup>1</sup>
Audits	Up to 2,000 <sup>2</sup>
Credential verification time <sup>3</sup>	Smart and proximity: ≤ 1 second Mobile: mobile device dependent
Visual communications	LED (red, amber, green)
Audible communications	Audible indicator (field configurable)
Communication standards	<ul style="list-style-type: none"> <li>• 2.4 GHz Wi-Fi® (IEEE 802.11b/g/n)</li> <li>• WPA2, WPA, WEP, 802.1x</li> <li>• Bluetooth® low energy (version 4.2)</li> <li>• Transport Layer Security (TLS) version 1.2</li> <li>• Advanced Encryption Standard (AES), 256-bit</li> </ul>
Gateway communication range	Up to 30' in typical building environments. A detailed site survey is recommended using the <a href="#">ENGAGE Test Kit (TKE)</a> . Reference <a href="#">ENGAGE™ Gateway data sheet</a> for additional detail.
Wake-Up on Radio	Responds to command from host in less than 5 seconds when linked to ENGAGE Gateway (requires PACS provider system)
Data rate	54 Mbps
Connectivity options	<ul style="list-style-type: none"> <li>• Bluetooth via mobile device (send updates at the lock)</li> <li>• Wi-Fi access point (automatic daily updates<sup>7</sup>)</li> <li>• No-Tour<sup>8</sup></li> <li>• ENGAGE Gateway (real-time communication) <ul style="list-style-type: none"> <li>◦ RS-485 to ACP or IP to host</li> </ul> </li> </ul>
Battery life <sup>4</sup>	Uses 4 AA batteries Up to 2 years
Operating temperature	Exterior: -31° to 151°F (-35° to 66°C) Exterior: -13° to 151°F (-25° to 66°C) (NDEBSi) Interior: 32° to 120°F (0° to 49°C) (battery)
Operating humidity	0 - 100% non-condensing
Certifications	ANSI/BHMA A156.25 locked outdoor; ANSI/BHMA A156.2, Series 4000, Grade 1; UL 294; ULC 60839; UL 10C 3 hour; CSA C22.2 No. 205-M1983; FCC Part 15; Industry Canada (IC); ADA compliant; ICC ANSI A117.1; FL1592, FL10356, FL12400, FL14482

**Functionality**

- Storeroom
- Office
- Privacy
- Apartment

NDE comes with Vandigard® standard


**Available Status Signals**

- Request-to-exit
- Door position
- Interior cover tamper<sup>5</sup>
- Magnetic tamper
- Battery status
- Lock/unlock status<sup>6</sup>
- Communication status<sup>5</sup>

**Flexible Solutions**

NDE wireless locks offer connectivity options to fit any size budget or business.

- 1 Mobile
- 2 Wi-Fi
- 3 Real-time with ENGAGE Gateway
- 4 No-Tour<sup>8</sup>



**Use the ENGAGE mobile app to commission and connect devices to your access control system of choice**

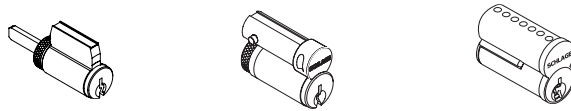
Download on the  
**App Store**

ANDROID APP ON  
**Google play**

1. Maximum database storage capacity of lock. Can vary by access control software database capacity.
2. Maximum audit storage capacity of lock. Can vary by access control software audit storage capacity.
3. Response time does not include latency time of host when linked with an ENGAGE Gateway or when using No-Tour.
4. Assuming indoor application, default settings, 80 actuations, interior LED disabled and one Wi-Fi update per day.
5. Consult your access control software provider for specific scope of support.
6. Software indicates lock/unlock status based on sequence of events.
7. Daily update will occur within 24 hours as scheduled by the host
8. With MT20W and smart credential or mobile credential (consult your access control software provider for specific support).

**Mechanical Specifications**

Chassis	Cylindrical
Handing	Right-handed from factory. Field reversible in seconds (no tools required).
ANSI standard (Meets or exceeds)	ANSI/BHMA A156.25-2013 (Indoor/Outdoor) ANSI/BHMA A156.2-2011, Series 4000, Grade 1
Door thickness	Standard: 1-5/8" - 2" (41mm - 51mm) only
Backset	Standard: 2-3/4" (70mm) Optional: 2-3/8" (60mm)
Latch bolt	Standard: 1/2" (12mm) throw deadlatch (steel) Optional: 3/4" (19mm) throw anti-friction deadlatch available for pairs of fire doors
Levers	Pressure cast zinc, plated
Strike	Standard: 1-3/16" lip, ANSI, DPS, 1-1/4" x 4-7/8" Optional: Additional strikes, lip lengths and ANSI strike box available
Cylinder and keys	Standard: Schlage 6-pin Everest 29 S123 keyway Conventional cylinder with two patented keys. Additional keying options available, including interchangeable cores, competitor brands, master keying and grand master keying.


**Compatible Cylinders**

Schlage key systems	Conventional key-in-lever cylinder	Full size interchangeable core	Small format interchangeable core
With cylinder	P, P6, Z	M, R	G7
Construction core	----	T	H
Disposable core	----	----	BDC
Less cylinder	L	J	B

Compatible cylinders listed above are supported on all levers.

SARGENT® - Less cylinder	L-SAR	J-SAR	----
Corbin Russwin® - Less cylinder	L-CO6	J-CO6, J-CO7	----
Yale® - Less cylinder	----	J-YA6, J-YA7	----
Medeco - Less cylinder	----	J-MED	----

Six-pin competitive cylinders listed above are supported on ATH, SPA, RHO, and TLR levers. Seven-pin competitive cylinders listed above are supported on RHO levers.

**Standard Multi-Technology Reader Specifications**

Credential technologies	Proximity (125 kHz), Smart (13.56 MHz), Bluetooth Low Energy (BLE) (2.4 GHz), and Near Field Communication (NFC)
Standards	ISO standard 15693 and ISO 14443
Maximum read range	Proximity: up to 1.25" Smart: up to .75" Bluetooth Low Energy: up to 15' NFC: mobile device dependent
Proximity credential support	Compatibility: Schlage®, ISONAS™, HID4, GE/CASI ProxLite®, AWID® and LeneiProx®
Smart credential support <sup>1</sup>	Secure sector compatibility: Schlage MIFARE Classic®, Schlage MIFARE Plus®, Schlage MIFARE® DESFire®; HID support with the Si option CSN only compatibility: HID iCLASS®, HID iCLASS SE®, Inside Contactless Pico Tag®, MIFARE Classic/Plus/DESFire2, ST Microelectronics®, Texas Instruments Tag-It®, Phillips I-Code®
Mobile credential support <sup>3</sup>	Schlage Mobile Bluetooth® credential, integrated PACS/PropTech mobile credential with Bluetooth, Apple Wallet® NFC student ID and employee badge mobile credentials, Google Wallet™ NFC student ID and employee badge mobile credentials; HID NFC support with the Si option

**Mobile Enabled Retrofit Kits**

Retrofit kits are available allowing the upgrade of legacy NDE locks to the mobile enabled model, adding the ability to read Bluetooth® mobile credentials and new functions supported by an interior push button with indication.

- Kit includes: Interior escutcheon with PCBA and DPS with lead (requires modified door prep)\*

\* Kit requires reuse of exterior of lock, lock chassis, existing levers/spring cages, battery cover, mounting screws and interior mounting plate.

**Si Option with HID® Support**

Supports:

- Secure application area of HID iCLASS®, iCLASS SE®, Seos® and MIFARE® DESFire® EV1 smart credentials
- iCLASS Standard Key and Elite Keys
- HID NFC mobile credentials
- All Schlage MIFARE and mobile credentials

Does not support:

- Proximity
- HID Seos Bluetooth mobile

1. No-Tour applications require a 1K Byte Schlage MIFARE smart credential
2. Specify CE-5901-0402 for ISONAS credential parity
3. Dependent on PACS /PropTech provider capabilities. Visit [us.allegion.com/alliances](http://us.allegion.com/alliances) for more information
4. Proximity bit lengths greater than 37 not supported

# Ordering Information

NDEB - P6 - SPA - 626 - LAT - XXX - XX-XXX - XXXXXXXX - XXX - S123

Series	Lever Cylinder	Outside		Inside (optional)		Backset & Latch	Strike	Dim	Additional Details
		Lever Style	Finish	Lever Style	Finish				
1	2	3	4	5	6	7	8	9	10

Standard options are indicated with a dot. See price book for specific configuration options.

1 Series	
NDEB	Mobile enabled cylindrical with configurable functions
NDEBSi	Mobile enabled cylindrical with configurable functions that supports HID® credential types

2 Lever Cylinder Type	
P6	Schlage 6-pin Conventional key-in-lever

See price book for other SFIC, FSIC and Less Cylinder options available. Supports Schlage, SARGENT®, Corbin, Russwin®, and Yale®.

3/5 Lever	
ATH	Athens <sup>1</sup>
BRK	Boardwalk
BRW	Broadway <sup>1</sup>
LAT	Latitude
LON	Longitude
OME	Omega
RHO	Rhodes <sup>1</sup>
SPA	Sparta <sup>1</sup>
TLR	Tubular <sup>1</sup>

1. Available with tactile warning options.

4/6 Finish	
605	Bright Brass
606	Satin Brass
612	Satin Bronze
619	Satin Nickel
622	Matte Black
625	Bright Chrome
626	Satin Chrome
626AM	Satin Chrome Antimicrobial
643e	Aged Bronze

7 Backset & Latch	
• 13-247	2-3/4" backset deadlatch, square corner, 1-1/8" x 2-1/4"

See price book for additional backset and latch options.

8 Strike	
• 47267101	1-1/4" x 4-7/8" with 1-3/16" lip (NDEB)

See price book for other available strikes.

9 Dim (strike lip length)	
• 138	1-3/8" non-standard lip length

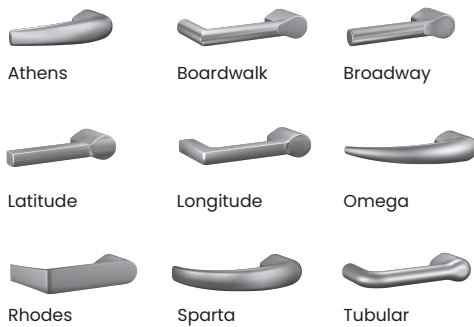
Enter only for non-standard strike lip lengths. See price book for other available non-standard lengths.

10 Additional Details	
• S123	Everest 29

See price book for other available keyway options including restricted keyways in Primus XP high security cylinders and master keying.

## Lever Styles

Conventional cylinders shown, SFIC and FSIC also available.



## Finishes

