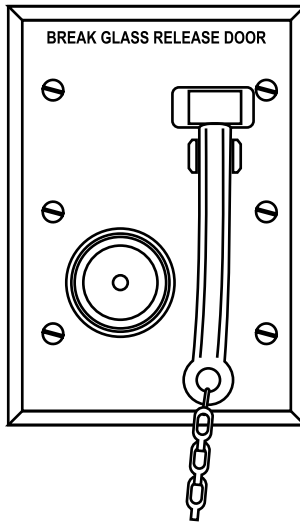


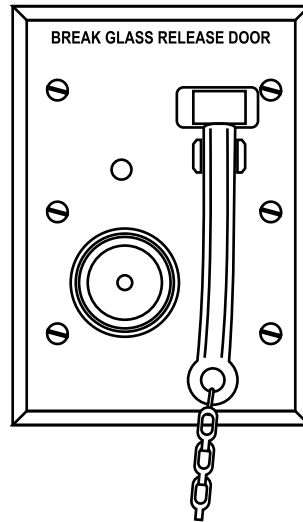
# 740 Series Break Glass Release and Indicator Assembly



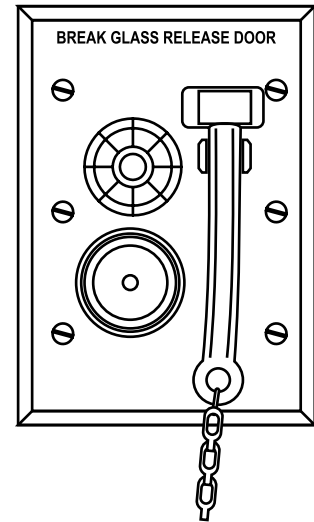
## Installation Instructions



**#740 Standard Break Glass Assembly**



**#741 Similar to #740 with additional LED Luminous Indicator to signal usage.**



**#742 Similar to #740 with the addition of an audible to signal usage.**

### Operations

#740 Series Break Assemblies are a preferred method of releasing non-designed egress doors.

The unit consists of a replaceable Break Glass cartridge that normally holds a plunger activated switch that is depressed until the cartridge lens is broken.

When the lens is broken, the plunger jumps forward and alters the switch contact position. Four replacement lens disks are provided with each assembly.

A small hammer is attached to the Break Glass Assembly via a mounting clip along with 12" of chain to insure it will not stray from the assembly.

On the top edge of the assembly is a red sign clearly indicating the purpose of the release.

### Why Used

The Break Glass Assembly is a preferred alternate to the conventional pull box installation, as accidental activation is all but eliminated as far as false alarms are concerned. Breaking the lens requires more of a commitment on the user's part than merely pulling the handle and leaving the scene.

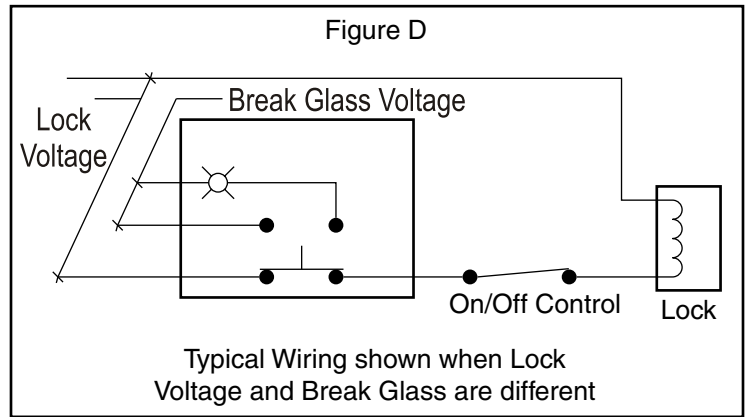
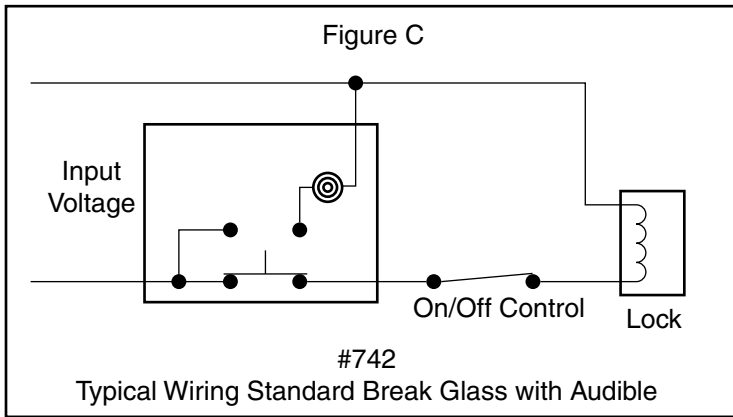
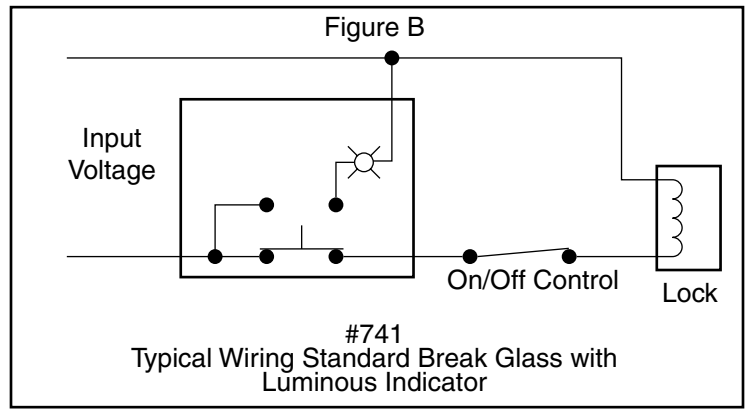
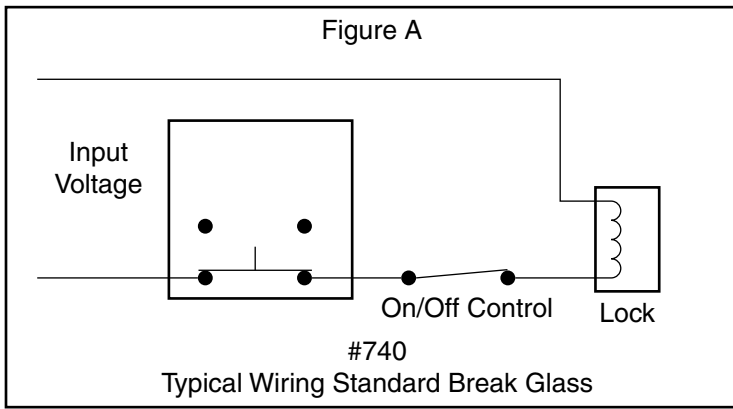
### Where Used

Laboratories, testing areas, and other similar rooms provided with exit doors.

Fail Safe multiple door interlocks, where in the event of equipment malfunction, incorrect usage or wiring, someone may be trapped between doors.

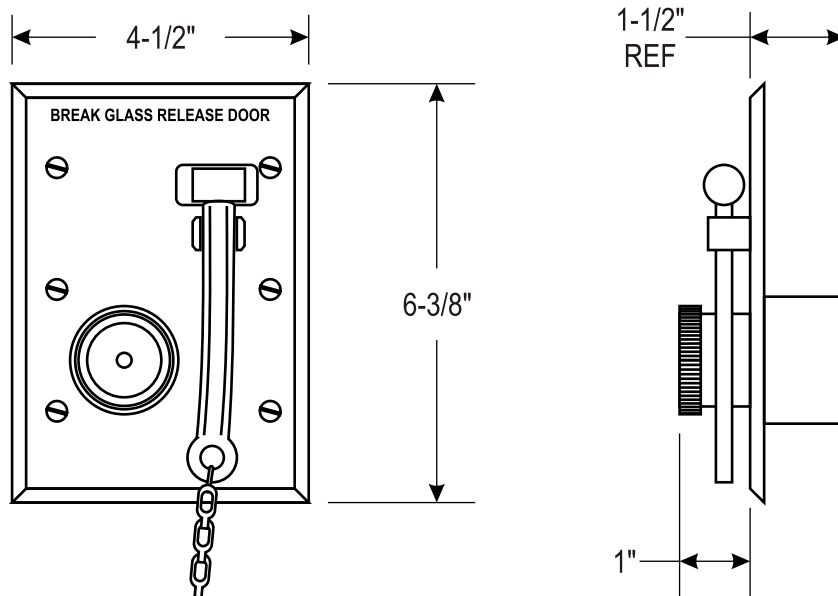
### Features

- Surface or mortise mounts, in a standard 3 gang enclosure.
- Compatible with all Fail Safe type Electric Locking Systems.
- An effective alternate to the standard pull box type.
- Standard finish US26, special finishes available, consult factory for price and delivery.



Note: Figures B and C are shown with Break Glass being operated with voltage the same as the lock. For installations utilizing different operating voltages, see Figure D.

## Specifications



Switch contacts rated 6 amps @ 30 VAC  
Screw type wiring connections

### Customer Service

1-877-671-7011

www.allegion.com/us

