

Schlage Control™ Smart Deadbolt

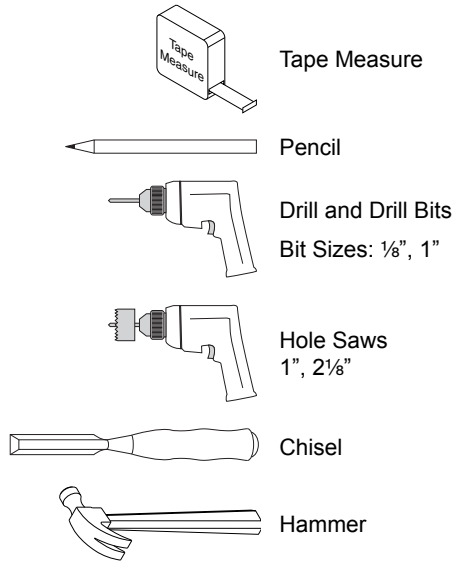
with Engage Technology



Model BE467F

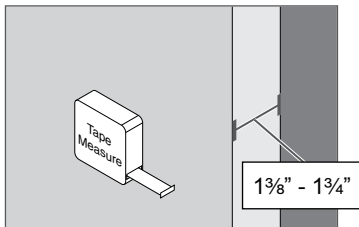
Door Preparation Instructions for Door with No Holes

Tools Needed



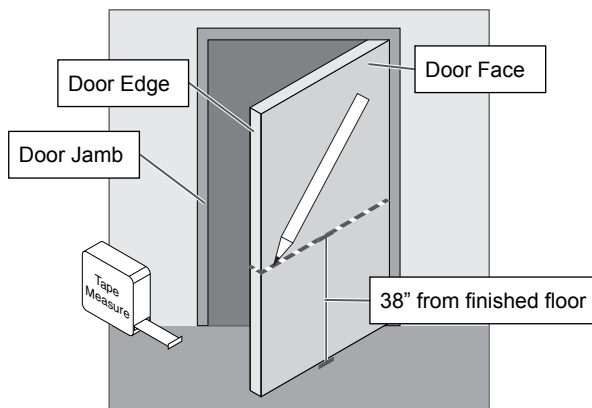
1 Measure door thickness.

If the door is thinner than 1 3/8" or thicker than 1 3/4", then the lock will not fit properly on the door.



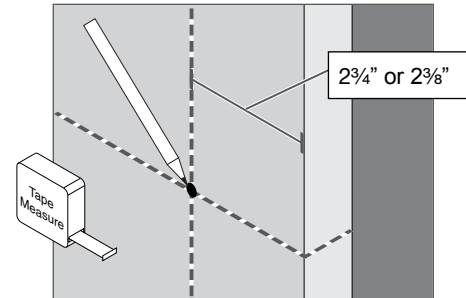
① A thick door kit is available from Product Support at 800-847-1864.

2 Mark lock centerline on door face, door edge and door jamb.

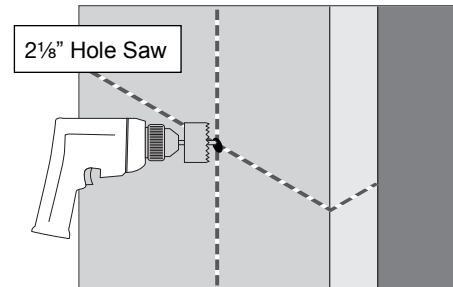


3 Prepare cross bore.

3a Measure backset and mark center of hole.

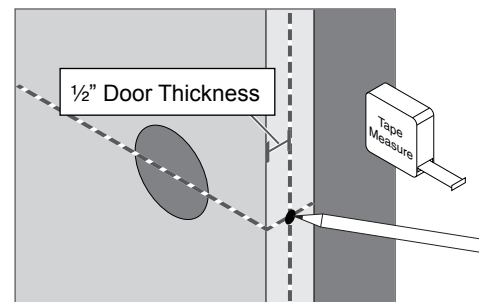


3b Drill hole with hole saw.

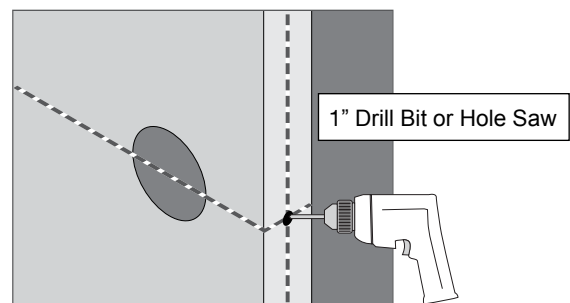


4 Prepare door edge hole.

4a Measure and mark 1/2 door thickness.

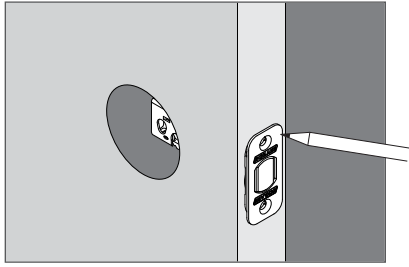


4b Drill hole in door edge.

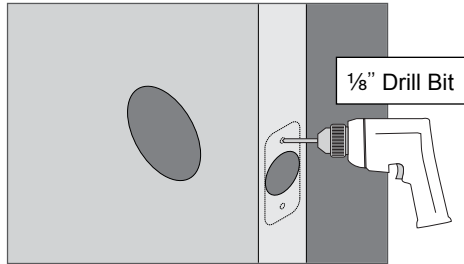


5 Mortise for bolt.

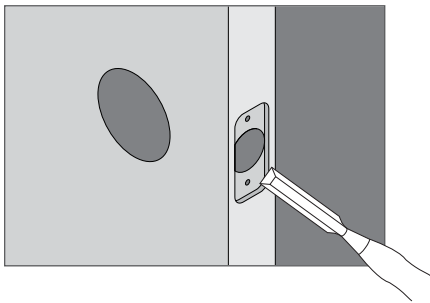
5a Insert bolt into door edge hole. Trace bolt faceplate and mark holes.



5b Remove bolt and drill two 1/8" pilot holes.

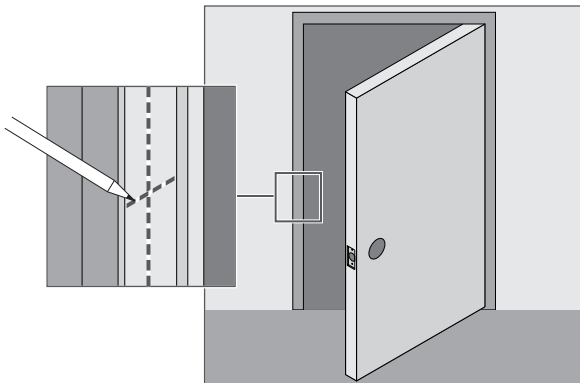


5c Use chisel and hammer to create bolt mortise.

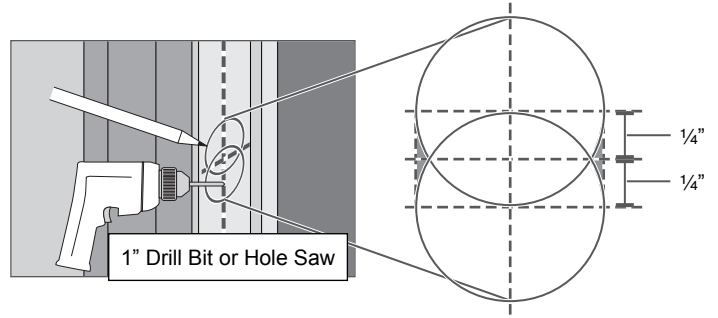


6 Measure, mark and drill holes in door jamb for strike.

6a Mark center for strike hole exactly opposite latch hole.

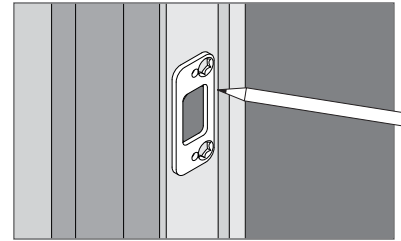


6b Measure, mark and drill two (2) 1" holes, 1/4" deep, as shown. Chisel out excess material on the sides.

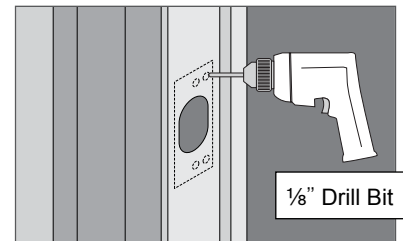


7 Mortise for strike and reinforcement plate.

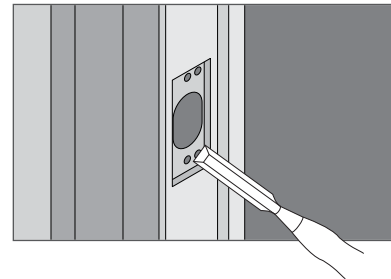
7a Trace strike and reinforcement plate and mark holes.



7b Drill four (4) 1/8" pilot holes.



7c Use chisel and hammer to create mortise for strike and reinforcement plate.



Product Support

800-847-1864

www.allegion.com



© Allegion 2016
BE467F door prep no holes-b Rev. 05/16-b