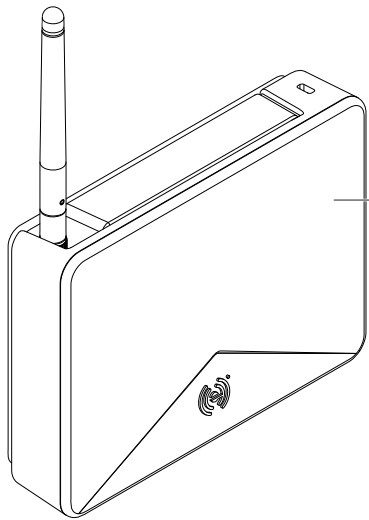
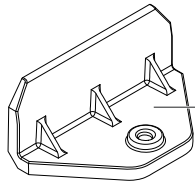


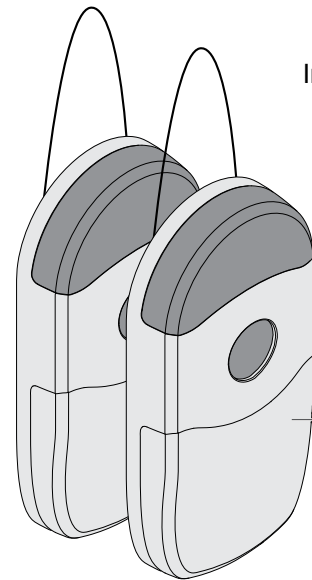
ENGAGE Test Kit



ENGAGE Gateway



Tripod mount for Gateway



Transponder (x2)

Installation Instructions

Other Contents (not shown above)

- Gateway power cord
- Battery power pack
- Tripod
- Battery cable

Scan code to access Gateway instructions



Contact Customer Support:

1-877-671-7011

Test Kit ENGAGE Setup

1 Install and prepare Allegion ENGAGE app.

- 1a Download the Allegion ENGAGE mobile application from the Google Play store or Apple App Store.
- 1b Run the app and create a NEW site.
When prompted, you MUST accept the User Agreement and choose an "Access Control Software" other than ENGAGE to use the Test Kit

2 Ensure batteries are charged.

Open the test kit and check the batteries of the two transponders and the ENGAGE Gateway.

3 Commission each transponder.

- ① Use the small switch inside the transponder assembly when requested to "Turn and release the interior lever."

Open the new survey site and start these steps from the "Devices" menu.

1. Select the "+" sign (top right) to begin.
2. Select "NDE Device Type."

- ① Transponders will report in ENGAGE as NDE devices.

3. Momentarily press the small switch inside the transponder when requested to "Turn and release the interior lever." You will hear one beep.

- ① The battery cover must be installed for step 3.

4. Select "Next" to view available devices nearby.
5. Select the transponder to be commissioned, and wait for it to be "Connected." The LED on the back of the transponder unit (against the door) will be blinking.
6. Select "Yes" in the top right to continue.
7. Input a device name, (Transponder A or B for example), then select "Next."
8. Select "Next" to skip the "Set door to closed position and touch next" instruction.
9. Select "Skip" in the top right to bypass the Wi-Fi network setting.
① Wi-Fi is not needed for Site Surveys.
10. When successful, select "Add another NDE device" to repeat the commissioning process for the next transponder.

After each transponder is successfully commissioned, select "Finish."

4 Commission the Gateway.

- ① Boot up process can take up to two minutes after power is applied.
- ① The Gateway LED should be RED after its boot up process is completed.
- ① If the Gateway LED is BLUE, it is already commissioned and will need a Factory Default Reset (FDR). See Gateway instructions at the link provided on the front page for FDR instructions.

Start these steps from the “ENGAGE Devices” menu.

1. Select the “+” sign (top right) to begin.
2. Select “Gateway” device type.
 - ① After power-up, the Gateway will take a moment to initialize. Wait for a solid RED LED before proceeding.
3. Select the Gateway to be commissioned, and wait for it to be “Connected.”
4. After successfully connecting, select “Yes” in the top right to answer the question “Is the light blinking on the device?” to continue.
5. Input a device name (“Site Survey Gateway,” for example), then select “Next.”
6. Select “IP” for the Gateway communication mode.
 - ① IP communication is not used for the actual Site Survey.
7. Skip the IP Configuration step by selecting “Next.”
8. When successful, select “Link Devices” or “Finish” to quit.

5 Linking devices.

Start these steps from the “Devices” menu.

1. View the recently commissioned Gateway and transponders in the “In-Range” tab.
 - ① The devices must be nearby and powered up.
2. Select the Site Survey Gateway device, and wait for it to be “Connected.”
3. Select “Linked Devices.”
4. Select the “+” sign (top right).
5. Select the transponder to be “Linked” from the displayed list.
6. When successfully linked, select “Link Another Device,” or exit to quit.
7. Repeat steps for the remaining transponder.

After the Gateway and both transponders are linked, you are now ready to conduct the site survey.

Site Survey Instructions

Verify that each transponder’s batteries are good and the Gateway portable battery is fully charged.

1 Prepare a site plan.

Review your facility layout and access control requirements.

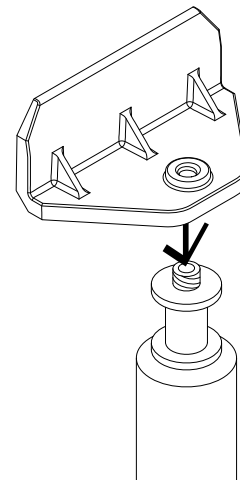
Generate a site plan for each opening to be managed and each anticipated Gateway location following the best practices listed below.

BEST PRACTICES

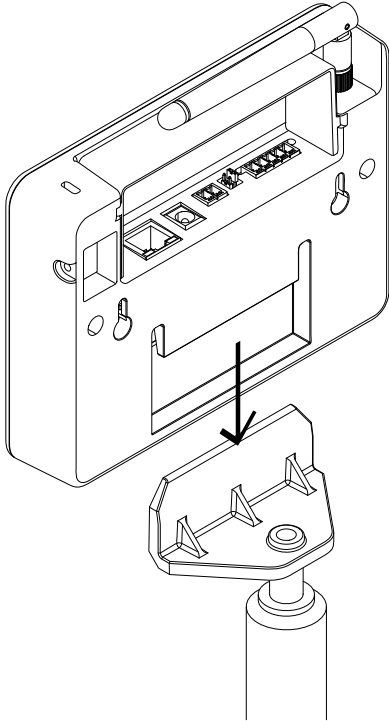
1. Know the facility construction. Understand long range facility plans and allow for unfinished construction, additional furniture, and planned construction issues.
2. Avoid Gateway placements near internet Wi-Fi access points that will cause signal interference.
3. Gateway to door “Line-Of-Sight” is preferred whenever possible.
4. Do not exceed 30 feet (10 meters) distance between Gateway and door/transponder locations.
5. Do not require Gateway to door/transponder communication between floors of a building.
6. Limit communications requirements through walls or other obstructions.
7. Do not plan to mount the Gateway on or near any metal surface. Avoid metal framed and wire mesh walls.
8. Do not plan to place Gateways in easily accessed and unsecured areas.
9. Keep the Gateway antenna in its vertical orientation.

2 Attach Gateway to tripod.

2a Install Gateway tripod mount to tripod.



2b Slide Gateway onto mount on tripod.



2c Attach battery pack to tripod, then connect battery cable to Gateway. Be sure to turn the Gateway battery ON and wait for the gateway to initialize (Blue LED will be solid).

3 Set up test kit.

Place the Gateway (on the tripod) and transponders (on the doors) per your site plan locations.

- ① Be sure to place transponders with the “This side against door” as indicated on the label facing the door.

4 Run site survey on ENGAGE application.

Using the ENGAGE mobile application, log in to the TKE Survey site.

1. Starting from the Devices Menu, select the site survey Gateway, and wait for it to be “Connected.”
2. Select the “Site Survey” menu.
3. Select “Start Survey” and wait for the survey to complete.
 - ① Each survey will take approximately 1 minute per transponder to complete.
 - ① The site survey will take several minutes longer if linked devices are not present. If not all devices linked to a Gateway are present for the site survey, remove the absent transponders from the linked list BEFORE running the site survey.

4. The app will display the survey results with color coded and numerical values.

RED (failing)	GREEN (passing)
Move the Gateway location and repeat the site survey. Repeat surveys until satisfactory results are achieved for this Gateway location.	Continue to next steps.

5. Document each site survey results for each door/transponder location.
 1. The Gateway precise location and mounting requirements.
 2. Transponder/door survey readings for each supported access opening
 3. Date and time the survey was accomplished and any notes.
 - ① A template sheet for recording site results and notes is provided on the last page of this instruction document.

Repeat the site survey for each planned Gateway location and supported door in your site plan.

Troubleshooting

1. Factory Default Reset (FDR) of the Gateway and transponders may be necessary if:
 - The devices are not new, or they have been commissioned before.
 - If any device has been commissioned in another site, they MUST be put back to factory settings and each device must be deleted in the previous site before they will be available for commissioning into a new site.
2. If site surveys take a very long time to complete:
 - If a linked Gateway is not online or responding during the site survey, the site survey will include “Timeouts” waiting for the non-responsive Gateway and cause extended times. Unlink any transponders that are not on-line.
 - Confirm you have the most recent versions of firmware in both the Gateway and the transponder.

Numerical Results	Site Survey Score Meaning and Troubleshooting
60-99	<ul style="list-style-type: none"> • Gateway to transponder positioning is good
0-59	<ul style="list-style-type: none"> • Connectivity is not good • Check that antenna is vertical • Move Gateway close to the lock • pass through fewer walls, avoid metal surfaces • Confirm Gateway is not mounted within 1 inch of a metal surface • Confirm Gateway is not mounted near a Wi-Fi access point

Site Results Template			
Door Name	Gateway Location	Survey Score	Notes