

PLACE AGAINST HEADER

M420 - Standard Application

SIDE A

**THIS PAGE IS FOR DIMENSIONAL VERIFICATION ONLY
NOT TO BE USED FOR TEMPLATE PRINTING BY SUPPLIER**

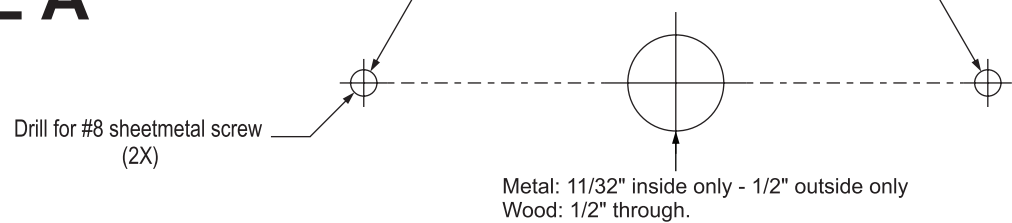
TEMPLATE TO BE PERFORATED ALONG DASHED LINE



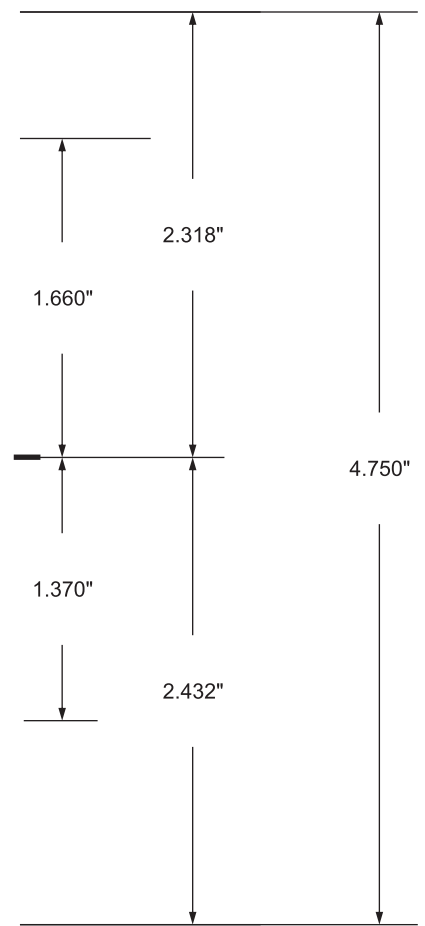
PLACE AGAINST INSIDE OF DOOR

SIDE A

DO NOT DRILL THRU DOOR



RHR installation:
Place template against this door stop, opposite hinges.



© 2014 Allegion
Printed in China
44487320 Rev. 01/14-c



PLACE AGAINST HEADER

M420 - Standard Application

SIDE B

**THIS PAGE IS FOR DIMENSIONAL VERIFICATION ONLY
NOT TO BE USED FOR TEMPLATE PRINTING BY SUPPLIER**

10-24 tapped or drilled for #10 sheet metal screw (2X)

Ø 0.500"
(Ø 1/2")
[Ø 13mm]

LHR installation:
Place template against this door stop, opposite hinges.

PLACE AGAINST INSIDE OF DOOR

SIDE B

DO NOT DRILL THRU DOOR

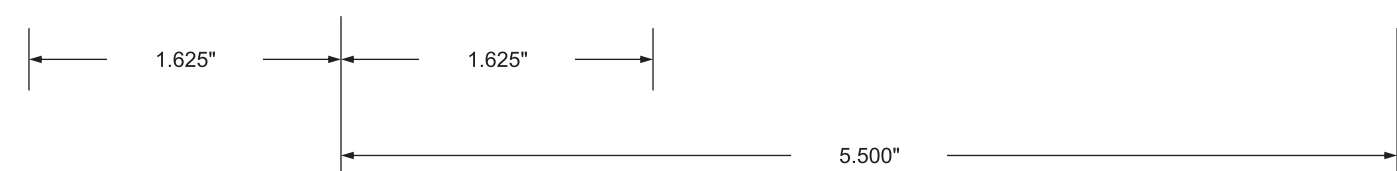
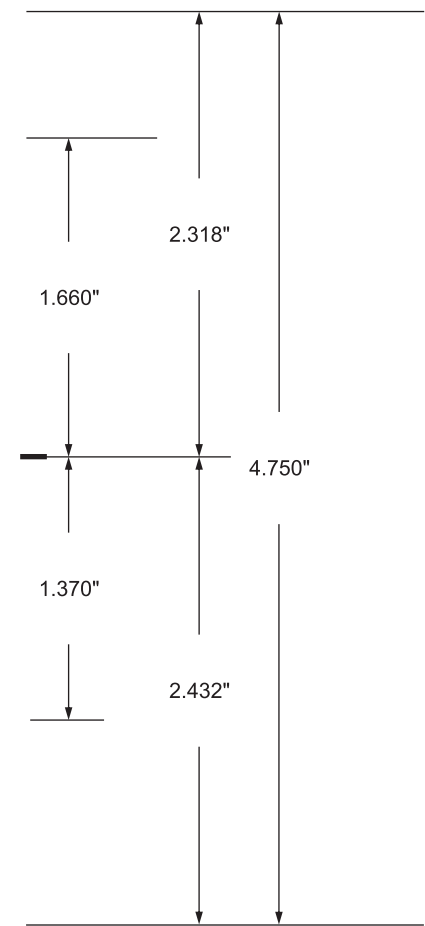
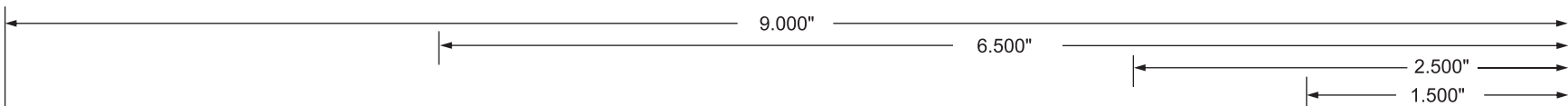
Drill for #8 sheet metal screw (2X)

Metal: 11/32" inside only - 1/2" outside only
Wood: 1/2" through.

Customer Service

1-877-671-7011

www.allegion.com/us



TEMPLATE TO BE PERFORATED ALONG DASHED LINE