

**THIS PAGE IS FOR DIMENSIONAL VERIFICATION ONLY
NOT TO BE USED FOR TEMPLATE PRINTING BY SUPPLIER**

Drill for #10 sheet metal or #10-24 machine screw.
(16X)



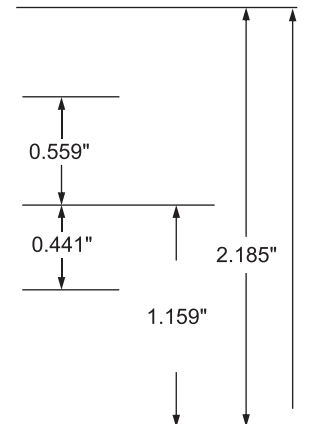
PLACE AGAINST INSIDE DOOR AND FRAME.

PLACE AGAINST INSIDE DOOR AND FRAME.

M422TJ - Top Jamb Application

Ø 0.500"
(Ø 1/2")
[Ø 13mm]
(2X)

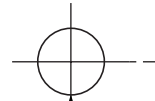
M422TJ - Top Jamb Application



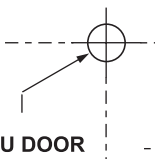
© 2014 Allegion
Printed in China
44487411 Rev. 01/14-c

Customer Service
1-877-671-7011
www.allegion.com/us

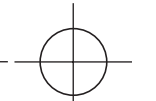
DO NOT DRILL THRU DOOR



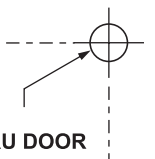
DO NOT DRILL THRU DOOR



DO NOT DRILL THRU DOOR



DO NOT DRILL THRU DOOR



PLACE ON PARTING CENTERLINE
BETWEEN DOORS.

Metal: 11/32" inside only - 1/2" outside only
Wood: 1/2" through.
(2X)

