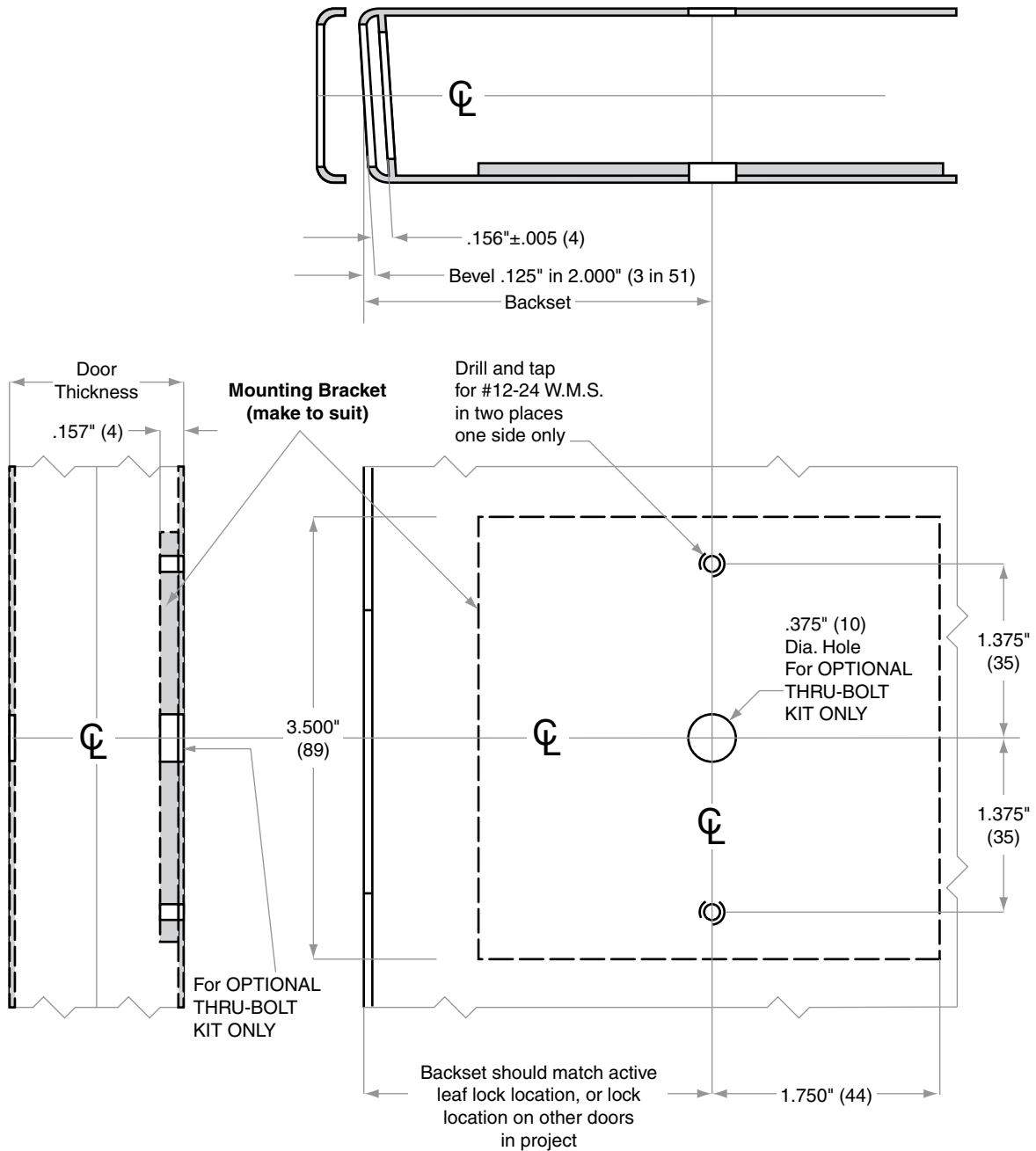




PC-Series

Models PC170

- Door Type: Metal
 Door Thickness: 1 3/8" (35 mm)– 2 1/2" (64 mm) when installed with optional thru-bolt kit (maximum thickness is unlimited when optional thru-bolt kit is not used)
 Faceplate: None
 Backsets: Any



Dimensions shown in parentheses () are in millimeters.

Door preparation template

PC309