



P513-147

Triple Option Adjustable Deadbolt



Installation Instructions

1 Square-corner $\frac{7}{8}$ " 22 mm

1 Install deadbolt

$1\frac{1}{2}$ " 38 mm

$\frac{3}{8}$ " overbore 9.5 mm

Cam on bottom.

Use screwdriver to retract bolt before installing.

2 Round-corner $\frac{7}{8}$ " 22 mm

1 Place screwdriver in slot to separate and remove square faceplate.

2 Snap on round-corner faceplate.

3 Install deadbolt.

$1\frac{1}{2}$ " 38 mm

$\frac{3}{8}$ " overbore 9.5 mm

Cam on bottom.

Use screwdriver to retract bolt before installing.

3 Circular Drive-in 1" 25 mm

1 Place screwdriver in slot to separate and remove square faceplate.

2 Turn and remove backplate.

3 Position circular faceplate.

4 Snap on shell.

ridge

groove

5 Turn cam to retract bolt **before** installing. Use wood block against face and tap with hammer to install.

$\frac{3}{8}$ " overbore 9.5 mm

To adjust for $2\frac{3}{4}$ " backset

(No adjustment needed for $2\frac{3}{8}$ " backset)

$1\frac{1}{2}$ " 38 mm

Backset

$\frac{3}{8}$ " overbore 9.5 mm

1 Retract bolt.

Turn cam to retract bolt. (bolt must be retracted)

2 Adjust for $2\frac{3}{4}$ " backset.

Rotate and pull to adjust.

Complete Lock Assembly

1 Extend bolt.

2 Assemble cylinder, ring and insert.

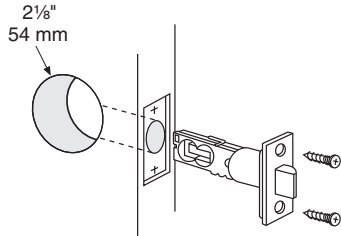
Adapter ring for $2\frac{1}{8}$ " hole (optional)

3 Engage turn unit, retract bolt halfway and tighten screws.

Square-corner latch



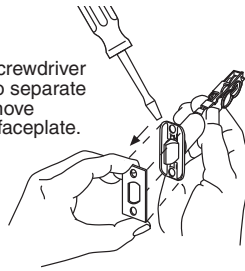
1 Install latch.



Round-corner latch



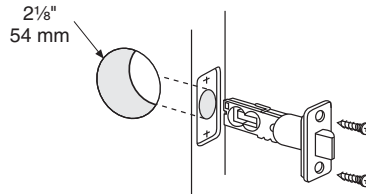
1 Place screwdriver in slot to separate and remove square faceplate.



2 Snap on round-corner faceplate.



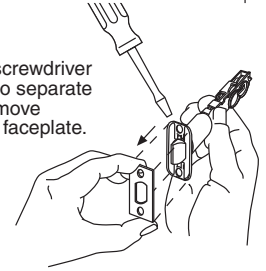
3 Install latch.



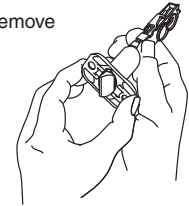
Circular Drive-in Latch



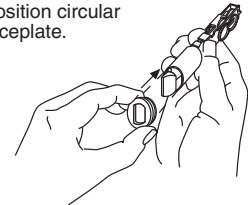
1 Place screwdriver in slot to separate and remove square faceplate.



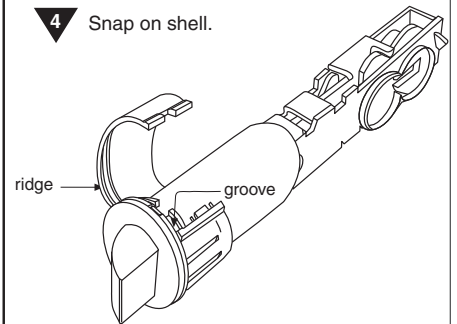
2 Turn and remove backplate.



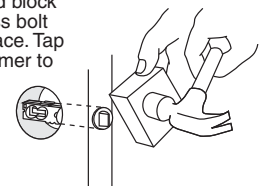
3 Position circular faceplate.



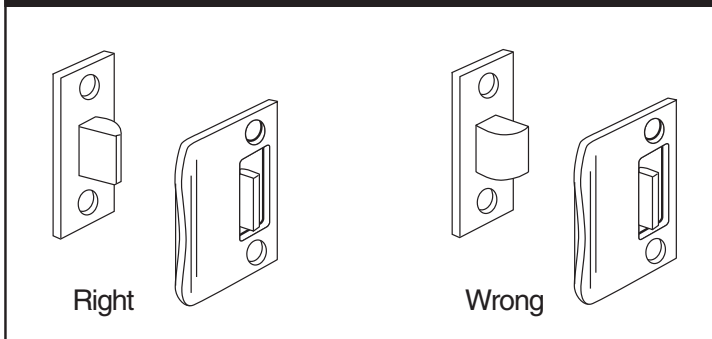
4 Snap on shell.



5 Use wood block to depress bolt against face. Tap with hammer to install.



Strike Position for Latches



Customer Service

1-877-671-7011 www.allegion.com



© Allegion 2014
Printed in U.S.A.
P513-147 Rev. 01/14-e