

RX Wiring Kit



XE360 Von Duprin 22 Exit

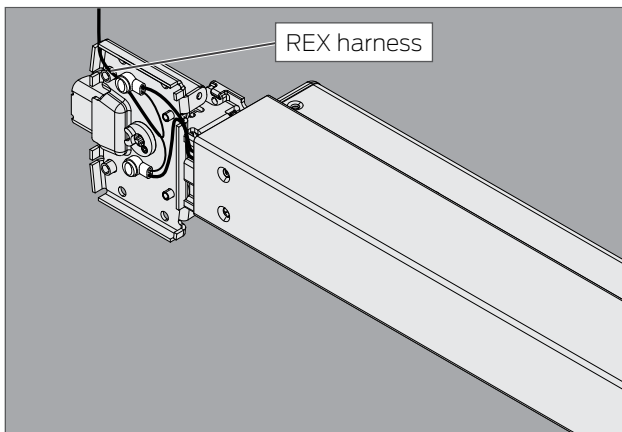
Installation Instructions



Scan for user guide,
interactive instructions,
warranty and more!
alle.co/XE360

1 Route wires and make connections.

- 1a Route wires through the channel beneath the baseplate.
- 1b Remove Normally Closed wire.
- 1c Trim excess wire from the exit device RX.
- 1d Connect to the XE360 REX harness using the included Scotchlok connectors.
- ① **Color orientation to XE360 REX harness does NOT matter.**
- 1e Carefully tuck wires behind the center case. Do not crimp wires.



2 Connect wires and mount device.

- 2a Finish mounting device.

